



Intertek-PSI
1748 33rd Street
Orlando, FL 32839

Tel +1 407 304 5560
Fax +1 407 304 5561
intertek.com/building

December 19, 2017

Mr. Thomas Campbell
Florida Department of Business and Professional Regulation
Manufactured Building Program
1940 North Monroe Street
Suite 90A
Tallahassee, Florida 32399-0772

RE: **Plan Approval: Residential Lawn Storage Shed**
Manufacturer: Cook Portable Warehouse
Agency Plan Number: 2017-40

Dear Mr. Thomas,

Professional Service Industries Inc., an Intertek company (“Intertek-PSI”), part of Intertek¹ Building Science Solutions, in pursuant to the requirements of the Florida Department of Business and Professional Regulations, the above referenced documents have been reviewed for compliance with:

2017 Florida Building Code, 6th Edition
2014 NEC, NFPA 70

These plans comply with Florida Product Approval Rule 61G20-3.006 (FAC). A signed and sealed set of plans are maintained on file in the Third-Party Agency office of PSI.

All mandatory comments have been satisfied and plans are approved for construction by a modular building manufacturer that is currently approved by the Department of Business and Professional Regulations.

If you have any questions or require my assistance in any way, please do not hesitate to contact me.

Yours sincerely,
Professional Service Industries, Inc.

Victor C. Martin, PE FL #82379
Department Manager
Business Science Solutions

CC: Doug Oliver – Cook Portable Buildings, Inc. – doliver@cookstuff.com

¹ Intertek is a brand name representing the Intertek Group plc legal entities, including but not limited to, Intertek Testing Services NA Inc., Professional Service Industries, Inc. (“INTERTEK-PSI”), Architectural Testing Inc. (“INTERTEK-ATI”), and MT Group Inc. (“INTERTEK-MT”).
www.intertek.com/building



COOK PORTABLE WAREHOUSES

100 DOUGLAS ST., VALDOSTA, GA 31601
132 CENTRAL INDUSTRIAL ROW, PURVIS, MS 39475
1398 HWY 95 NORTH, BASTROP, TX 78602

STANDARD GARDEN SHED STATE OF FLORIDA

Design Criteria	
BUILDING CODE	6TH EDITION, 2017 FLORIDA BUILDING CODE
ELECTRICAL CODE	2014 NEC, NFPA70
BUILDING TYPE	RESIDENTIAL LAWN STORAGE SHED
MANUFACTURER	COOK PORTABLE WAREHOUSES
AGENCY	PSI
AGENCY PLAN NUMBER	2017-40
CONSTRUCTION TYPE	V-B
FIRE PROTECTION	B
FIRE SUPPRESSION SYSTEM	NO
OCCUPANCY	U - UTILITY
NUMBER OF OCCUPANTS	0
ALLOWABLE # OF STORIES	1
WIND INFORMATION	160 MPH ULTIMATE; EXPOSURE C, CATEGORY I; ENCLOSED; +/- 0.18 INTERNAL PRESSURE COEFFICIENT; 15' HEIGHT
FLOOR LIVE LOAD	40.0 PSF
FLOOR DEAD LOAD	4.0 PSF
ROOF LIVE LOAD	20.0 PSF
ROOF DEAD LOAD	7.0 PSF
WALL DEAD LOAD	3.0 PSF
UNINHABITED LOFT LIVE LOAD	0.0 PSF
GROUND SNOW LOAD	0.0 PSF
FIRE RATING OF EXTERIOR WALLS	0
"R" RATING OF FLOOR, WALL, AND ROOF	R-0, R-0, R-0
MODULES PER BUILDING	1
SQUARE FOOTAGE	LESS THAN 719 SQ. FT.
EXEMPT FROM ENERGY CONSERVATION CODE?	YES
APPROVED FOR HURRICANE PROTECTION USAGE?	NO
DESIGNED FOR HURRICANE PUBLIC SHELTER?	NO

SITE INSTALLED ITEMS:

NOTE THAT THIS LIST DOES NOT NECESSARILY LIMIT THE ITEMS OF WORK AND MATERIALS THAT MAY BE REQUIRED FOR A COMPLETE INSTALLATION. ALL SITE RELATED ITEMS ARE SUBJECT TO LOCAL JURISDICTION APPROVAL.

1. THE COMPLETE FOUNDATION SUPPORTING AND TIE-DOWN SYSTEM.
2. RAMPS, STAIRS, AND GENERAL ACCESS TO THE BUILDING IF NECESSARY.
3. GUTTERS AND DOWN SPOUTS ON ALL BUILDINGS WITH EAVES OF LESS THAN 6 INCHES HORIZONTAL PROJECTION EXCEPT FOR GABLE END RAKES.

OCCUPANCY NOTE:

THIS BUILDING IS NOT DESIGNED FOR HUMAN HABITATION AND DOES NOT HAVE RUNNING WATER OR SANITATION SERVICES. THIS BUILDING IS DESIGNED AS A UTILITY SHED TO STORE LAWN EQUIPMENT SUCH AS WHEEL BARROWS, GARDENING SUPPLIES, FLOWER POTS, AND CARDBOARD BOXES WITH VARIOUS SMALL ITEMS.

Sheet Index	
SHEET NUMBER	SHEET TITLE
S-1	COVER SHEET
S-2	GENERAL NOTES
S-3	WIND LOAD TABLES
S-4	FASTENING SCHEDULE
S-5	FRAMING PLANS
S-6	ELEVATION & SHEARWALL
S-7	7'-11 1/2" SHED - FRAMING ELEVATION
S-8	9'-11 1/2" SHED - FRAMING ELEVATION
S-9	SIDE WALL ELEVATION
S-10	CROSS SECTIONS
S-11	CROSS SECTIONS
S-12	DETAILS
S-13	DETAILS
S-14	DETAILS

Engineer: Kent Bice
FL License #: 50421



1552 6TH ST., WINTER HAVEN, FL 33880
(863)865-6502

COVER SHEET

DATE: 12/12/17 DRAWN BY: RD
SCALE: AS NOTED CHECKED BY: KMB

SHEET:

S-1

SHEET 1 OF 14

THESE PLANS WERE DESIGNED IN ACCORDANCE WITH THE 6TH EDITION, 2017 FLORIDA BUILDING CODE.

GENERAL NOTES:

1. THIS STRUCTURE WAS DESIGNED IN ACCORDANCE WITH THE 6TH EDITION, 2017 FLORIDA BUILDING CODE, (2017 FBC).
2. ALL MATERIALS AND LABOR SHALL BE IN ACCORDANCE WITH THE ABOVE CODE AND ALL OTHER APPLICABLE LOCAL CODES AT THE TIME OF MANUFACTURE.
3. WRITTEN DIMENSIONS SHALL TAKE PRECEDENCE OVER SCALED DIMENSIONS.
4. THE FOUNDATION PLAN IS A SEPARATE SET OF PLANS FOR APPROVAL BY LOCAL MUNICIPALITIES.
5. EXTERIOR DIMENSIONS CAN VARY BETWEEN LIMITS SHOWN AT 2' O.C. BUT MEMBER SPACING SHALL NOT EXCEED LIMITS AS INDICATED.
6. ALL THE FOLLOWING LUMBER SHALL BE PRESSURE TREATED IN ACCORDANCE WITH AWPA USE CATEGORY UC4B (GROUND CONTACT, HEAVY DUTY)-SKIDS.
7. ALL THE FOLLOWING LUMBER SHALL BE PRESSURE TREATED IN ACCORDANCE WITH AWPA USE CATEGORY UC3B (EXTERIOR ABOVE GROUND, UNCOATED OR POOR WATER RUNOFF)-FLOOR JOISTS, PLYWOOD FLOOR DECKING, AND EXTERIOR RATED WOOD STRUCTURAL PANEL SIDING.
8. ALL FASTENERS AND CONNECTORS IN CONTACT WITH PRESSURE TREATED WOOD SHALL BE HOT DIPPED GALVANIZED (G185) OR STAINLESS STEEL.
9. ALL WINDOWS WITHIN 24" OF DOORS, AND ALL GLASS IN DOORS SHALL BE SAFETY, TEMPERED, OR ACRYLIC PLASTIC SHEET.
10. FOR ROOFS WITH ASPHALT SHINGLES AND A SLOPE BETWEEN 2 TO 12 AND 4 TO 12 SHALL HAVE A DOUBLE UNDERLAYMENT APPLICATION AS REQUIRED IN ACCORDANCE WITH SECTION 1507.2.2 OF THE 2017 FBC OR PER SHINGLE MANUFACTURER INSTRUCTIONS.
11. UNDERLAYMENT SHALL CONFORM WITH SECTION 1507.2.3 OF THE 2017 FBC OR PER SHINGLE MANUFACTURER INSTRUCTIONS.
12. ASPHALT SHINGLES SHALL CONFORM WITH SECTION 1507.2.5 OF THE 2017 FBC ATTACHMENT OF ASPHALT SHINGLES SHALL CONFORM WITH 1507.2.7 OF THE 2017 FBC.
13. FASTENERS FOR ASPHALT SHINGLES SHALL CONFORM TO SECTION 1507.2.6 OF THE 2017 FBC.
14. TIE-DOWNS SHALL MEET THE REQUIREMENTS OF ALL APPLICABLE CODES.
15. THESE PLANS HAVE NOT BEEN DESIGNED FOR HVHZ REQUIREMENTS AS SET FORTH IN THE 2017 FBC OR FOR USE AS A COMMERCIAL BUILDING.
16. THE CONTRACTOR SHALL BE RESPONSIBLE FOR VERIFYING ALL EXISTING CONDITIONS.
17. THE CONTRACTOR SHALL BE RESPONSIBLE FOR DELIVERY AND PLACEMENT OF LAWN STORAGE UNIT TO ENSURE THE INTEGRITY OF THE BUILDING AND ITS COMPONENT PARTS.
18. NO FIELD REVISIONS TO ANY STRUCTURAL COMPONENTS OR DEVIATIONS FROM THESE DRAWINGS SHALL BE MADE.
19. THE OWNER AND THE CONTRACTOR SHALL HOLD HARMLESS THE ENGINEER FROM AND AGAINST ALL LIABILITY CLAIMS, DAMAGES, LOSSES AND EXPENSES INCLUDING LEGAL FEES ARISING OUT OF OR RESULTING FROM ERRORS OR OMISSIONS IN THE PERFORMANCE OF THE WORK BY THE CONTRACTOR.
20. SECTIONS AND DETAILS ON THE DRAWINGS ARE INTENDED TO BE TYPICAL AND SHALL APPLY AT ALL SIMILAR LOCATIONS, UNLESS OTHER SECTIONS AND DETAILS ARE SPECIFICALLY REFERENCED.
21. REFER TO SUPPLIED FASTENING SCHEDULE FOR FASTENING BASED ON CONNECTION AND LOCATION OF MEMBERS AS PER 2017 FBC TABLE 2304.10.1 UNLESS NOTED OTHERWISE.
22. BUILDINGS HAVE BEEN DESIGNED FOR LP SMARTSIDE PRECISION PANEL SIDING, LP SMARTSIDE PRECISION LAP SIDING SHALL NOT BE USED.
23. FASTENERS IN LP SMARTSIDE PRECISION PANEL SIDING MUST NOT BE INSTALLED IN PANEL SIDING GROOVES IN THE FIELD OF THE PANEL SIDING OR WHEN THE PANEL SIDING GROOVES OCCUR AT CUT EDGES OF THE PANEL SIDING.
24. REFER TO THE ICC-ES EVALUATION REPORT ESR-1301 FOR ADDITIONAL DATA AND SPECIFICATIONS OF LP SMARTSIDE PRECISION PANEL SIDING.
25. MAX OPENINGS WIDTHS MUST COMPLY WITH DESIGN RATIOS AS PER ANSI/AF&PA SDPWS-2015. BUILDINGS HAVE BEEN DESIGNED TO HAVE ONLY OPENINGS WITH MAX WIDTHS EQUAL TO THOSE IN THE ENDWALL SHEAR WALL CHART.
26. PER SECTION 1609.1.2 OF THE 2017 FBC, STORAGE SHEDS THAT ARE NOT DESIGNED FOR HUMAN HABITATION AND THAT HAVE A FLOOR AREA OF 720 SQUARE FEET OR LESS ARE NOT REQUIRED TO COMPLY WITH THE MANDATORY WIND-BORNE-DEBRIS-IMPACT STANDARDS OF THE 2017 FBC.
27. BUILDINGS THAT ARE 400 SQUARE FEET OR LESS AND THAT ARE INTENDED FOR USE IN CONJUNCTION WITH ONE-AND-TWO-FAMILY RESIDENCES ARE NOT SUBJECT TO THE DOOR HEIGHT AND WIDTH REQUIREMENTS OF THE 2017 FBC PER 1010.1.1 (SEE EXCEPTION 8).
28. BUILDINGS HAVE BEEN DESIGNED TO HAVE ANCHORS DIRECTLY ATTACHED TO ALL FOUR CORNERS OF THE BUILDING TO RESIST TENSION FORCES FROM LATERAL WIND LOADS. THIS DESIGN CONSIDERATION MUST BE MADE BY INSTALLER WHEN ATTACHING ANCHORING SYSTEM TO BUILDING.
29. UNLESS NOTED OTHERWISE, ATTACH ALL MANUFACTURED PRODUCTS IN ACCORDANCE WITH MANUFACTURERS SPECIFICATIONS.
30. 2X4 SP #2 PRESSURE TREATED LUMBER SHALL BE SUBSTITUTED FOR 2X4 SPF #2 LUMBER IN WALLS FOR USE IN FLOOD PLAINS.
31. PER APA PRODUCT REPORT PR-N124, LP SMARTSIDE PRECISION SERIES TREATED-ENGINEERED-WOOD PANEL SIDING IS PERMITTED ON WALLS FOR USE IN FLOOD PLAINS.
32. 19/32" LP PROSTRUCT FLOORING WITH SMARTFINISH IS PERMITTED IN LIEU OF 5/8" APA RATED STRUCTURAL SHEATHING ON FLOOR. INSTALL PER MANUFACTURER INSTRUCTIONS.

Engineer: Kent Bice
FL License #: 50421



1552 6TH ST., WINTER HAVEN, FL 33880
(863)865-6502

GENERAL NOTES

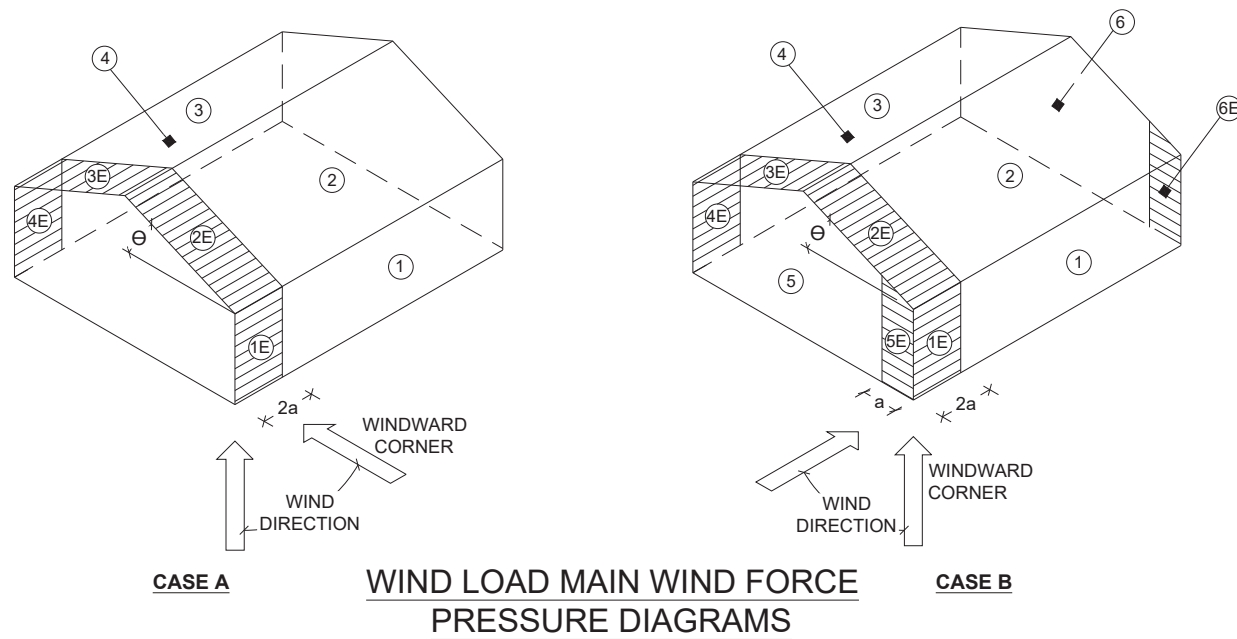
DATE: 12/12/17	DRAWN BY: RD
SCALE: AS NOTED	CHECKED BY: KMB

SHEET:

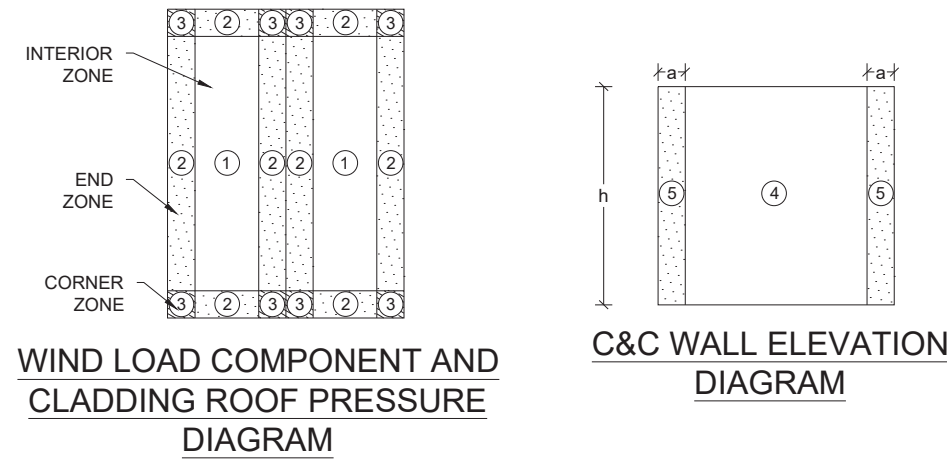
S-2

SHEET 2 OF 14

THESE PLANS WERE DESIGNED IN ACCORDANCE WITH THE 6TH EDITION, 2017 FLORIDA BUILDING CODE.



BUILDING DATA		ASCE 7-10 WIND	
WIND VELOCITY V_{ULT}	160 MPH	INTERNAL PRESSURE COEFFICIENT	(ENCLOSED BUILDING ASCE 7-10)
WIND VELOCITY V_{ASD}	124	HEIGHT & EXPOSURE ADJUSTMENT COEFFICIENT	1.21
BUILDING CATEGORY	I	ROOF DEAD LOAD RESISTING UPLIFT (PSF)	7.0
ROOF ANGLE, ° (DEGREES)	15 OR 30 DEGREES	MEAN ROOF HEIGHT	15
WIND EXPOSURE CATEGORY	C		



- NOTES:
- FOR EFFECTIVE AREAS BETWEEN THOSE GIVEN ABOVE THE LOAD MAY BE INTERPOLATED, OTHERWISE USE THE LOAD ASSOCIATED WITH THE LOWER EFFECTIVE AREA.
 - PLUS AND MINUS SIGNS SIGNIFY PRESSURES ACTING TOWARD AND AWAY FROM THE SURFACES, RESPECTIVELY.
 - PRESSURES SHOWN ARE APPLIED NORMAL TO THE SURFACE.
 - REFER TO PRESSURE ZONE DIAGRAMS PROVIDED FOR CORRESPONDING ZONES.
 - ROOF COVERINGS, FINISHES, ETC SHALL BE DESIGNED FOR THE FULL NEGATIVE DESIGN PRESSURE.

DESIGN WIND LOADS - WINDOWS, DOORS, COMPONENTS AND CLADDING

ROOF				WALLS			
ZONE	AREA (FT ²)	DESIGN PRESSURE (PSF)		ZONE	AREA (FT ²)	DESIGN PRESSURE (PSF)	
		POSITIVE	NEGATIVE			POSITIVE	NEGATIVE
1	10	50.9	-55.8	4	10	55.8	-60.5
1	20	49.6	-52.9	4	20	53.2	-58.0
1	50	47.7	-49.1	4	50	49.9	-54.6
1	100	46.2	-46.2	4	100	47.4	-52.2
2	10	50.9	-88.8	5	10	55.8	-74.7
2	20	49.6	-81.7	5	20	53.2	-69.6
2	50	47.7	-72.2	5	50	49.9	-62.9
2	100	46.2	-65.2	5	100	47.4	-58.0
3	10	50.9	-131.3				
3	20	49.6	-122.7				
3	50	47.7	-111.4				
3	100	46.2	-103.0				

DESIGN WIND LOADS - MWFRS

LOAD CASE A	WALL				ROOF			
	SURFACE 1	SURFACE 1E	SURFACE 4	SURFACE 4E	SURFACE 2	SURFACE 2E	SURFACE 3	SURFACE 3E
	35.0	43.6	-26.5	-35.5	-41.2	-59.2	-29.4	-38.8

LOAD CASE B	SIDE WALL				ROOF				GABLE WALL			
	WINDWARD		LEEWARD		WINDWARD		LEEWARD		WINDWARD		LEEWARD	
	SURFACE 1	SURFACE 1E	SURFACE 4	SURFACE 4E	SURFACE 2	SURFACE 2E	SURFACE 3	SURFACE 3E	SURFACE 5	SURFACE 5E	SURFACE 6	SURFACE 6E
	-29.8	-31.3	-29.8	-31.3	-41.2	-59.2	-26.0	-33.6	27.5	37.4	-22.3	-28.9



1552 6TH ST., WINTER HAVEN, FL 33880
(863)865-6502

WIND LOAD TABLES

DATE: 12/12/17 DRAWN BY: RD

SCALE: AS NOTED CHECKED BY: KMB

SHEET: **S-3**
SHEET 3 OF 14

THESE PLANS WERE DESIGNED IN ACCORDANCE WITH THE 6TH EDITION, 2017 FLORIDA BUILDING CODE.

FASTENING SCHEDULE		
CONNECTION	FASTENING ^{a, k}	LOCATION
1. JOIST TO SILL OR GIRDER	3 - 8d COMMON (2½" X 0.131") 3 - 3" X 0.131" NAILS 3 - 3", 14 GAGE STAPLES	TOENAIL
2. BRIDGING TO JOIST	2 - 8d COMMON (2½" X 0.131") 2 - 3" X 0.131" NAILS 2 - 3", 14 GAGE STAPLES	TOENAIL EACH END
3. SOLE PLATE TO JOIST OR BLOCKING	16d (3½" X 0.135") AT 12" O.C. 3" X 0.131" NAILS AT 12" O.C. 3", 14 GAGE STAPLES AT 12" O.C.	FACE NAIL
4. SOLE PLATE TO JOIST OR BLOCKING AT BRACED WALL PANEL	3 - 16d (3½" X 0.135") AT 16" O.C. 4 - 3" X 0.131" NAILS AT 16" O.C. 4 - 3", 14 GAGE STAPLES AT 16" O.C.	FACE NAIL
5. TOP PLATE TO STUD	2 - 16d (3½" X 0.162") 3 - 3" X 0.131" NAILS 3 - 3", 14 GAGE STAPLES	END NAIL
6. STUD TO SOLE PLATE	4 - 8d COMMON (2½" X 0.131") 4 - 3" X 0.131" NAILS 4 - 3", 14 GAGE STAPLES	TOENAIL
	2 - 16d COMMON (3½" X 0.162") 3 - 3" X 0.131" NAILS 3 - 3", 14 GAGE STAPLES	END NAIL
7. DOUBLE STUDS	16d (3½" X 0.162") AT 24" O.C. 3" X 0.131" NAILS AT 16" O.C. 3", 14 GAGE STAPLES AT 16" O.C.	FACE NAIL
8. TOP PLATE TO TOP PLATE	16d (3½" X 0.162") AT 16" O.C. 3" X 0.131" NAILS AT 12" O.C. 3", 14 GAGE STAPLES AT 12" O.C.	FACE NAIL
	8 - 16d COMMON (3½" X 0.162") 12 - 3" X 0.131" NAILS 12 - 3", 14 GAGE STAPLES	FACE NAIL AT LAP SPLICE
9. BLOCKING BETWEEN JOISTS OR RAFTERS TO TOP PLATE	3 - 8d COMMON (2½" X 0.131") 3 - 3" X 0.131" NAILS 3 - 3", 14 GAGE STAPLES	TOENAIL
10. RIM JOIST TO TOP PLATE	8d (2½" X 0.131") AT 6" O.C. 3" X 0.131" NAILS AT 6" O.C. 3", 14 GAGE STAPLES AT 6" O.C.	TOENAIL
11. TOP PLATES, LAPS AND INTERSECTIONS	2 - 16d COMMON (3½" X 0.162") 3 - 3" X 0.131" NAILS 3 - 3", 14 GAGE STAPLES	FACE NAIL
12. CONTINUOUS HEADER (2) PIECES	16d COMMON (3½" X 0.162")	16" O.C. EACH EDGE, FACE NAIL
13. CEILING JOISTS TO PLATE	3 - 8d COMMON (2½" X 0.131") 3 - 3" X 0.131" NAILS 3 - 3", 14 GAGE STAPLES	TOENAIL
14. CONTINUOUS HEADER TO STUD	4 - 8d COMMON (2½" X 0.131")	TOENAIL
15. RAFTER TO PLATE	3 - 16d (3½" X 0.162") 4 - 3" X 0.131" NAILS 4 - 3", 14 GAGE STAPLES	TOENAIL
16. 1" DIAGONAL BRACE TO EACH STUD AND PLATE	2 - 8d COMMON (2½" X 0.131") 2 - 3" X 0.131" NAILS 3 - 3", 14 GAGE STAPLES	FACE NAIL
17. BUILT-UP CORNER STUDS	16d (3½" X 0.162") 3" X 0.131" NAILS 3" 14 GAGE STAPLES	12" O.C. FACE NAIL

FASTENING SCHEDULE		
CONNECTION	FASTENING ^{a, k}	LOCATION
18. BUILT-UP GIRDER AND BEAMS	20d COMMON (4" X 0.192") at 32" O.C. 3" X 0.131" NAIL AT 24" O.C. 3" 14 GAGE STAPLE AT 24" O.C. AND	FACE NAIL AT TOP AND BOTTOM STAGGERED ON OPPOSITE SIDES
	2 - 20d COMMON (4" X 0.192") OR 3 - 3" X 0.131" NAIL OR 3 - 3" 14 GAGE STAPLE	FACE NAIL AT ENDS AND AT EACH SPLICE
19. COLLAR TIE TO RAFTER	3 - 10d COMMON (3" X 0.148") 4 - 3" X 0.131" NAILS 4 - 3" 14 GAGE STAPLES	FACE NAIL
20. ROOF RAFTER TO 2-BY RIDGE BEAM	3 - 10d COMMON (3½" X 0.148") 4 - 3" X 0.131" NAILS 4 - 3" 14 GAGE STAPLES	TOENAIL
21. JOIST TO BAND JOIST	3 - 16d COMMON (3½" X 0.162") 4 - 3" X 0.131" NAILS 4 - 3" 14 GAGE STAPLES	END NAIL
22. WOOD STRUCTURAL PANELS AND PARTICLEBOARD ^o , SUBFLOOR, ROOF AND WALL SHEATHING (TO FRAMING)	½" AND LESS 6d ^{c, j} 2⅜" X 0.113" NAIL ^l 1¾" X 16 GAGE ^m STAPLE 8d ^d OR 6d ^e	6" O.C. AT EDGES AND 12" O.C. AT INTERMEDIATE, 4" O.C. AT COMPONENT AND CLADDING EDGE STRIP # ZONE 3 [REFER TO FIGURE ON SHEET S-3]
	19/32" TO ¾" SINGLE FLOOR, COMBINATION SUBFLOOR-UNDERLAYMENT TO FRAMING 2⅜" X 0.113" NAIL ⁿ 2" 16 GAGE ⁿ STAPLE	
	7/8" TO 1" 8d ^c 1⅛" TO 1¼" 10d ^d OR 8d ^e	
23. PANEL SIDING TO FRAMING	½" OR LESS 6d ^f 5/8" 8d ^f	6" / 12" O.C. AT EDGES / INTERMEDIATE
24. FIBERBOARD SHEATHING	1/2"	3" / 6" O.C. AT EDGES / INTERMEDIATE FOR STRUCTURAL APPLICATIONS 6" / 12" O.C. AT EDGES / INTERMEDIATE FOR NON-STRUCTURAL APPLICATIONS
	25/32"	

NOTES:

- a. COMMON OR BOX NAILS ARE PERMITTED TO BE USED EXCEPT WHERE OTHERWISE STATED.
- b. NAILS SPACED AT 6" O.C. AT EDGES, 12" AT INTERMEDIATE SUPPORTS EXCEPT 6" AT SUPPORTS WHERE SPANS ARE 48" OR MORE. NAILS FOR WALL SHEATHING ARE PERMITTED TO BE COMMON, BOX OR CASING.
- c. COMMON OR DEFORMED SHANK (6d - 2" x 0.113"; 8d - 2 ½" x 0.131"; 10d 3" x 0.148").
- d. COMMON (6d - 2" x 0.113"; 8d - 2 1/2" x 0.131"; 10d x 0.148").
- e. DEFORMED SHANK (6d - 2" x 0.113"; 8d - 2 1/2" x 0.131"; 10d 3" x 0.148").
- f. CORROSION-RESISTANT SIDING (6d - 1 7/8" x 0.106"; 8d 2 3/8" x 0.128") OR CASING (6d 2" x 0.099"; 8d 2 1/2" x 0.113") NAIL.
- g. FASTENERS SPACED 3" O.C. AT EXTERIOR EDGES AND 6" O.C. AT INTERMEDIATE SUPPORTS, WHEN USED AS STRUCTURAL SHEATHING. SPACING SHALL BE 6" O.C. ON THE EDGES AND 12" O.C. AT INTERMEDIATE SUPPORTS FOR NONSTRUCTURAL APPLICATIONS.
- h. CORROSION-RESISTANT ROOFING NAILS WITH 7/16" DIAMETER HEAD AND 1 ½" LENGTH FOR 1/2" SHEATHING AND 1 3/4" LENGTH FOR 25/32" SHEATHING.
- i. CORROSION-RESISTANT STAPLES WITH NOMINAL 7/16" CROWN OR 1" CROWN AND 1 1/4" LENGTH FOR 1/2" SHEATHING AND 1 1/2" LENGTH FOR 25/32" SHEATHING. PANEL SUPPORTS AT 16" (20" IF STRENGTH AXIS IS THE LONG DIRECTION OF THE PANEL, UNLESS OTHERWISE MARKED).
- j. FOR ROOF SHEATHING APPLICATIONS, 8d NAILS (2 1/2" x 0.113") ARE THE MINIMUM REQUIRED FOR WOOD STRUCTURAL PANELS.
- k. STAPLES SHALL HAVE A MINIMUM CROWN WIDTH OF 7/16".
- l. FOR ROOF SHEATHING APPLICATIONS, FASTENERS SPACED 4" O.C. AT EDGES, 8" O.C. AT INTERMEDIATE SUPPORTS.
- m. FASTENERS SPACED 4" O.C. AT EDGES, 8" O.C. AT INTERMEDIATE SUPPORTS FOR SUBFLOOR AND WALL SHEATHING AND 3" O.C. AT EDGES, 6" AT INTERMEDIATE SUPPORTS FOR ROOF SHEATHING.
- n. FASTENERS SPACED 4" O.C. AT EDGES, 8" AT INTERMEDIATE SUPPORTS.

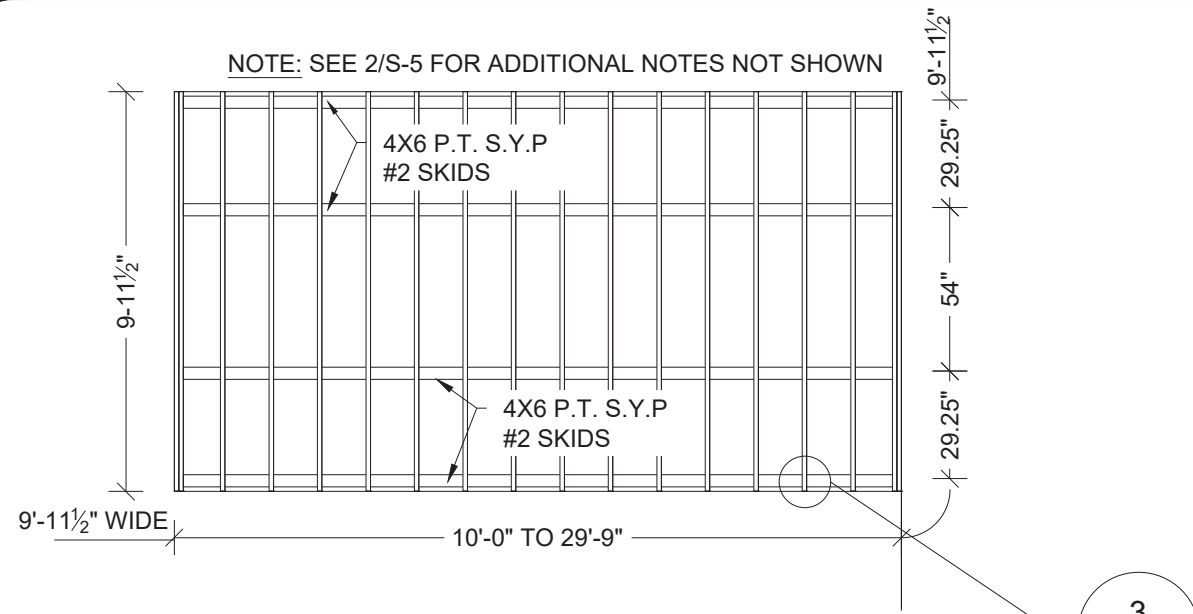


1552 6TH ST., WINTER HAVEN, FL 33880
(863)865-6502

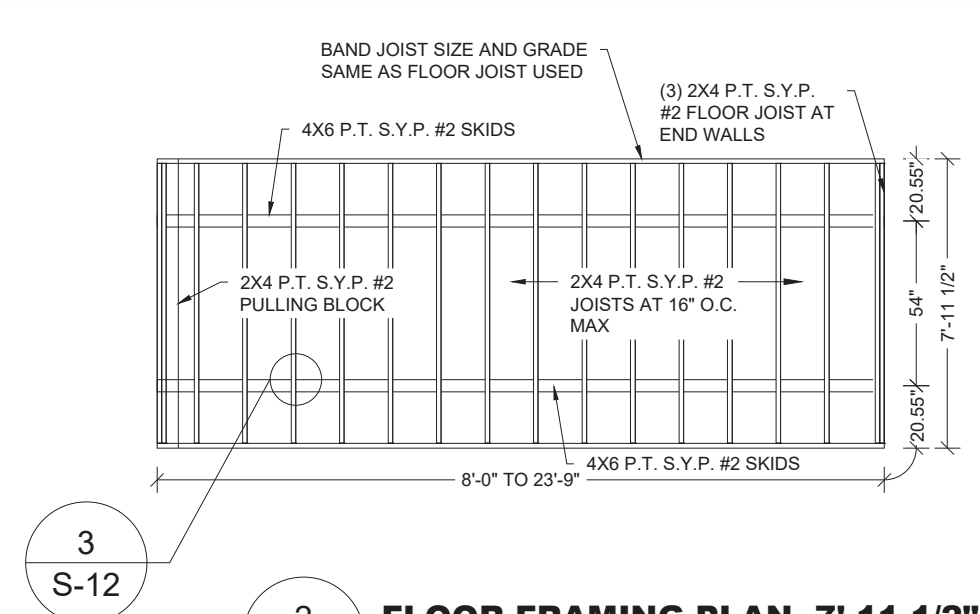
FASTENING SCHEDULE	
DATE: 12/12/17	DRAWN BY: RD
SCALE: AS NOTED	CHECKED BY: KMB

SHEET:
S-4
SHEET 4 OF 14

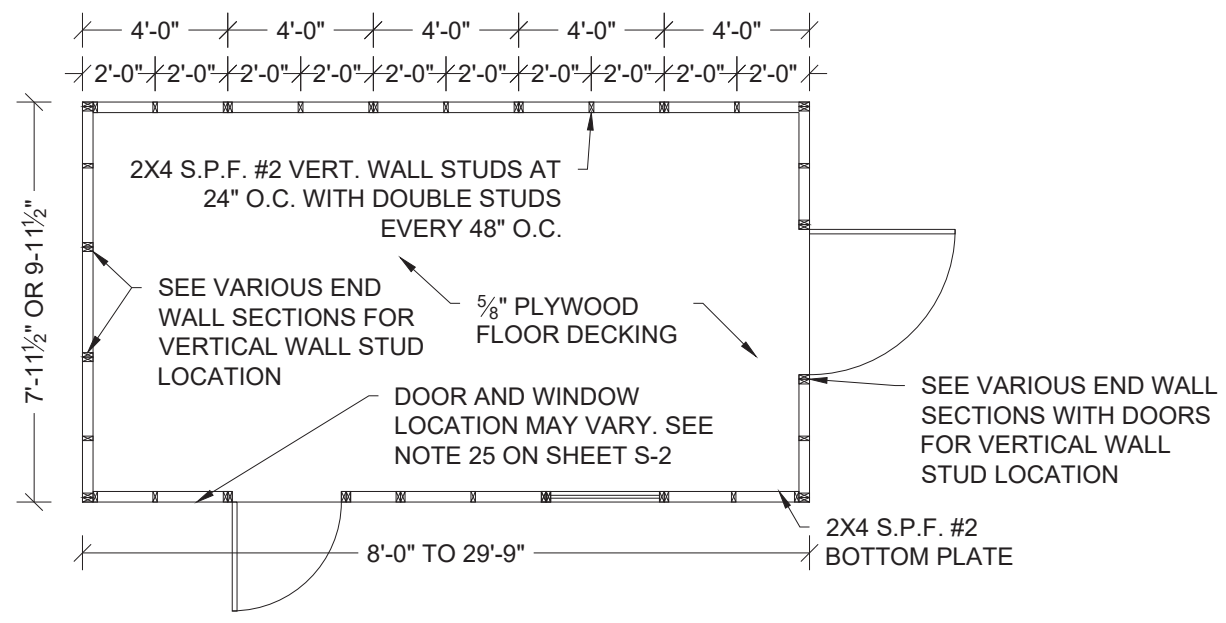
THESE PLANS WERE DESIGNED IN ACCORDANCE WITH THE 6TH EDITION, 2017 FLORIDA BUILDING CODE.



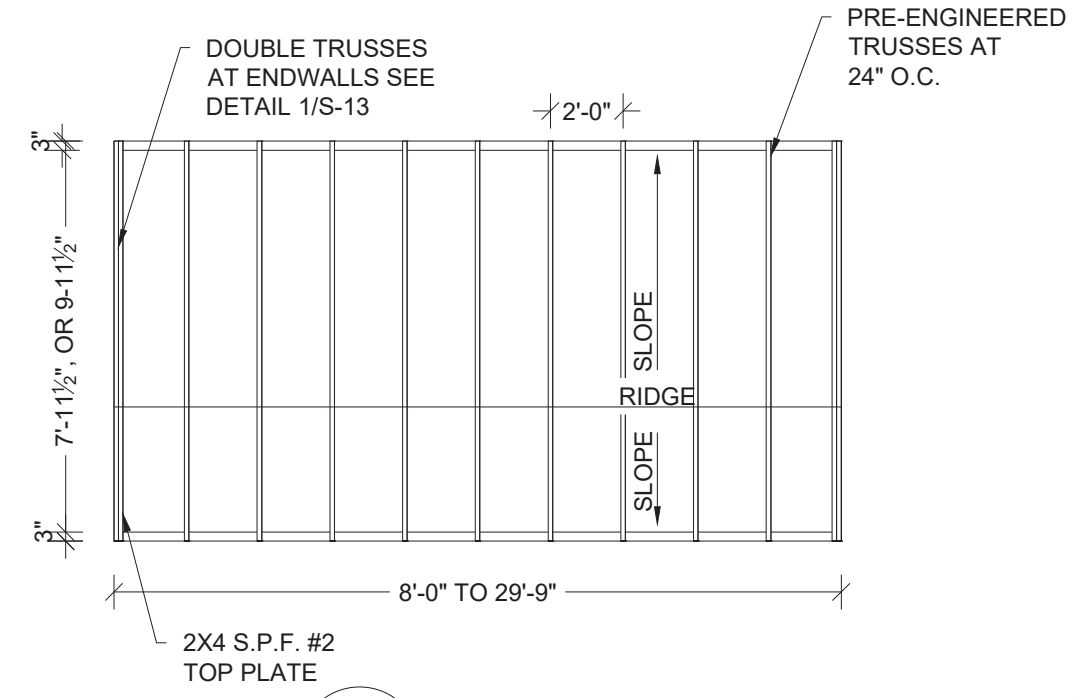
1 FLOOR FRAMING PLAN -9'-11 1/2" UNIT
S-5 SCALE: 3/16" = 1'-0"



2 FLOOR FRAMING PLAN -7'-11 1/2" UNIT
S-5 SCALE: 3/16" = 1'-0"



3 FLOOR DECK PLAN
S-5 SCALE: 3/16" = 1'-0"



4 ROOF FRAMING PLAN
S-5 SCALE: 3/16" = 1'-0"

EXAMPLE DRAWINGS ARE OF A 20'-0" LENGTH UNIT

Engineer: Kent Bice
FL License #: 50421

12/12/17

1552 6TH ST., WINTER HAVEN, FL 33880
(863)865-6502

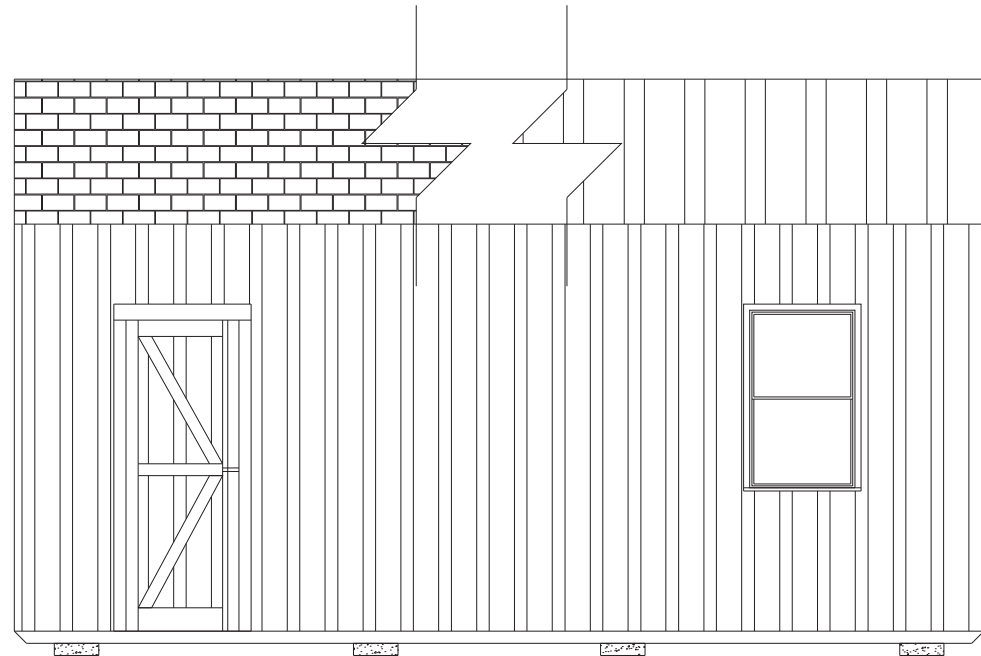
FRAMING PLANS

DATE: 12/12/17 DRAWN BY: RD
SCALE: AS NOTED CHECKED BY: KMB

SHEET:
S-5
SHEET 5 OF 14

THESE PLANS WERE DESIGNED IN ACCORDANCE WITH THE 6TH EDITION, 2017 FLORIDA BUILDING CODE.

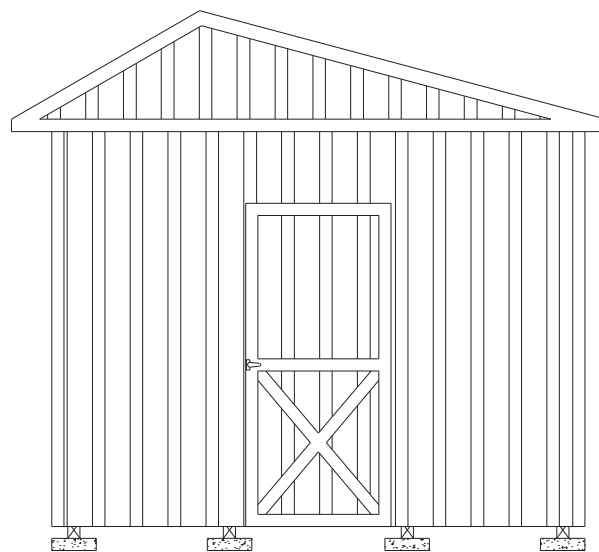
SHEARWALL						
FLOOR WIDTH (FT)	OPENING WIDTH		MAX BUILDING LENGTH			
	LONG SIDE WALL	SHORT END WALL	19/32" T1-11 ¹	19/32" LP PANEL ²	19/32" LP PANEL ³	19/32" LP PANEL ² + 7/16" RATED SHEATHING ⁴
7'-11½"	2'-0", 3'-0", 4'-0", 8'-0"	2'-0", 3'-0", 4'-0"	23'-9"	23'-9"	23'-9"	23'-9"
9'-11½"	2'-0", 3'-0", 4'-0", 6'-0", 7'-0", 8'-0"	2'-0", 3'-0", 4'-0", 6'-0"	29'-9"	29'-9"	29'-9"	29'-9"
		7'-0"		24'-0"		



NOTES:

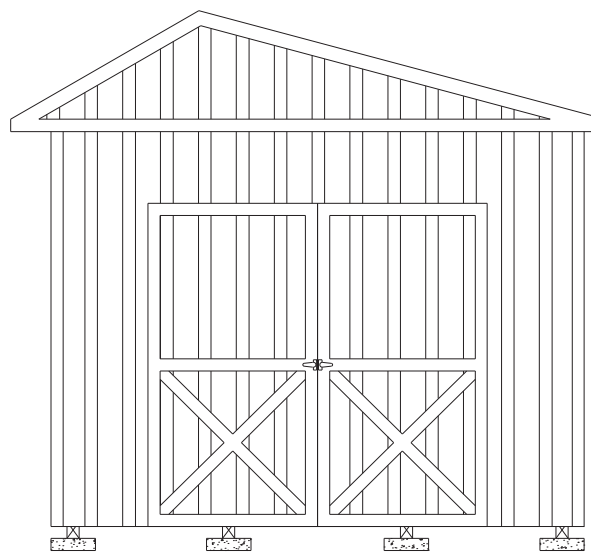
1. 19/32" T1-11 APA RATED SIDING 303-24 O.C. WITH 8D COMMON OR DEFORMED (0.131"X2-1/2") NAILS AT 6" O.C. IN FIELD AND 3" O.C. IN EDGES.
2. 19/32" LP SMARTSIDE STRAND SUBSTRATE PANEL SIDING WITH STAGGERED 8D COMMON OR DEFORMED (0.131"X2-1/2") NAILS AT 6" O.C. IN FIELD AND 3" O.C. IN EDGES.
3. 19/32" LP SMARTSIDE STRAND SUBSTRATE PANEL SIDING WITH STAGGERED 8D COMMON OR DEFORMED (0.131"X2-1/2") NAILS AT 6" O.C. IN FIELD AND 2" O.C. IN EDGES.
4. 7/16" APA STRUCTURAL RATED SHEATHING (OSB) WITH STAGGERED 8D COMMON OR DEFORMED (0.131"X2-1/2") NAILS AT 6" O.C. IN FIELD AND 4" O.C. IN EDGES.
5. WINDOWS AND DOORS MAY BE LOCATED IN EITHER THE SIDE WALL OR ENDWALL. DOORS ARE PERMITTED TO BE IN BOTH ENDWALLS OR ENDWALL AND SIDEWALL IF REQUESTED BY CUSTOMER. LIMITATIONS ON THE TOTAL DIMENSIONS SHALL BE BASED ON THE SHEAR WALL HEIGHT TO WIDTH RATIO OF 3.5:1 AND SHALL NOT EXCEED (2/3) OF THE TOTAL LENGTH OF BUILDING.
6. DOOR AND WINDOW SHALL BE LOCATED SUCH THAT THEY ARE AT LEAST 3'-3" APART.
7. EDGE NAILING SHALL BE PROVIDED AT TOP PLATE IN ALL END WALLS.
8. PROVIDE BLOCKING AT ALL UNSUPPORTED EDGES OF WALL SHEATHING.

1
S-6 **SIDE ELEVATION - SAMPLE OF A 16' LONG UNIT**
SCALE: 1/4" = 1'-0"



10'-0" WIDE UNIT WITH 3'-0" DOOR

2
S-6 **ENDWALL ELEVATION**
SCALE: 1/4" = 1'-0"



10'-0" WIDE UNIT WITH 7'-0" DOOR

Engineer: Kent Bice
FL License #: 50421

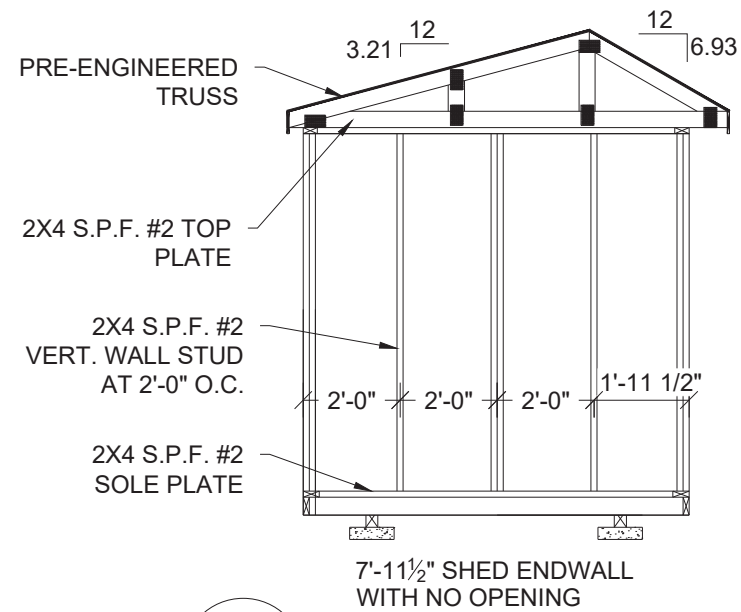


1552 6TH ST., WINTER HAVEN, FL 33880
(863)865-6502

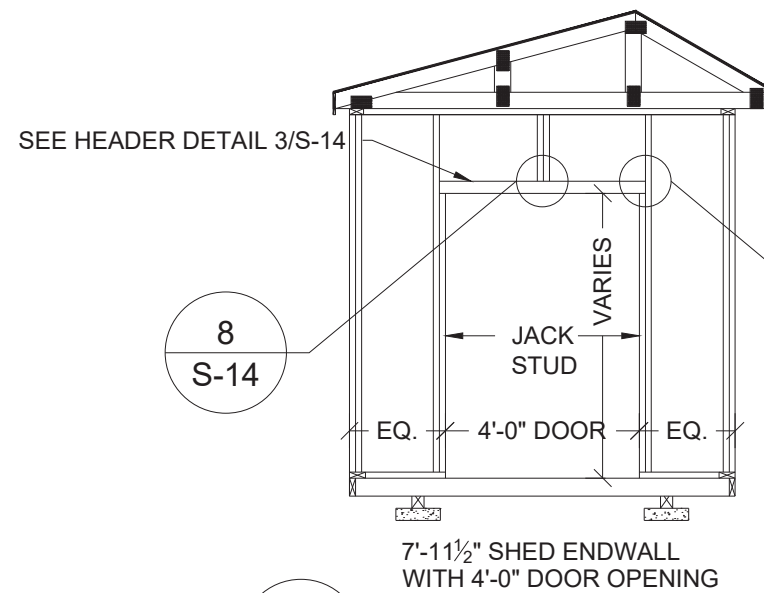
ELEVATIONS AND SHEARWALL		S-6
DATE: 12/12/17	DRAWN BY: RD	
SCALE: AS NOTED	CHECKED BY: KMB	

SHEET:
SHEET 6 OF 14

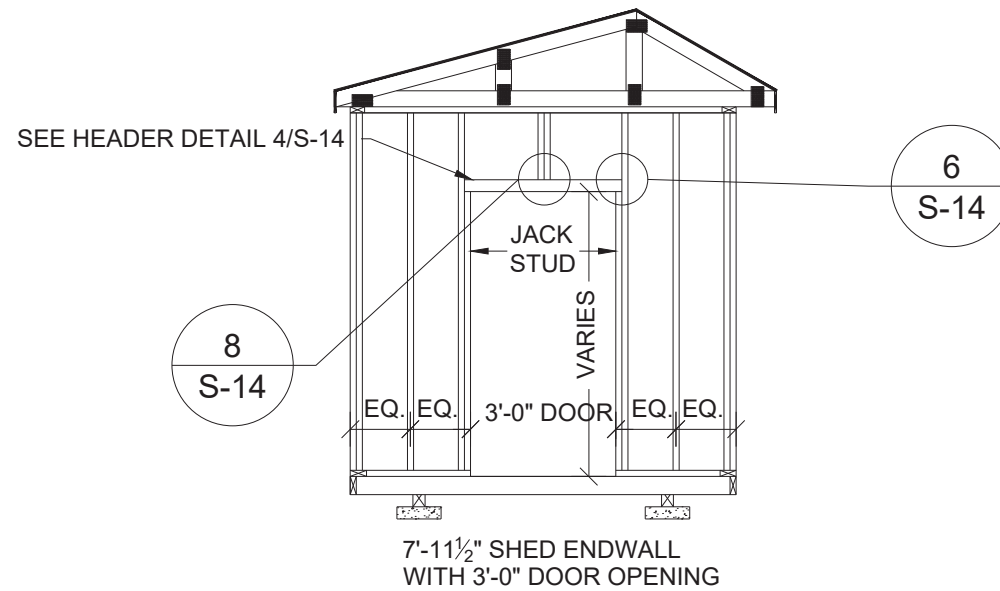
THESE PLANS WERE DESIGNED IN ACCORDANCE WITH THE 6TH EDITION, 2017 FLORIDA BUILDING CODE.



1
S-7
FRAMING ELEVATION
SCALE: 1/4" = 1'-0"



2
S-7
FRAMING ELEVATION
SCALE: 1/4" = 1'-0"



3
S-7
FRAMING ELEVATION
SCALE: 1/4" = 1'-0"

Engineer: Kent Bice
FL License #: 50421



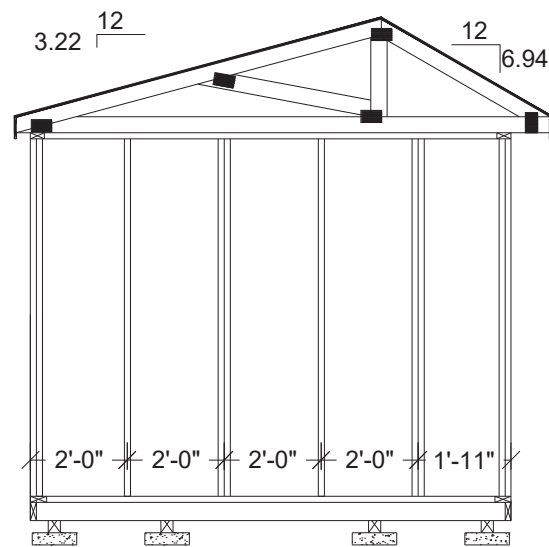
1552 6TH ST., WINTER HAVEN, FL 33880
(863)865-6502

**7'-11 1/2" SHED
FRAMING ELEVATIONS**

DATE: 12/12/17 DRAWN BY: RD
SCALE: AS NOTED CHECKED BY: KMB

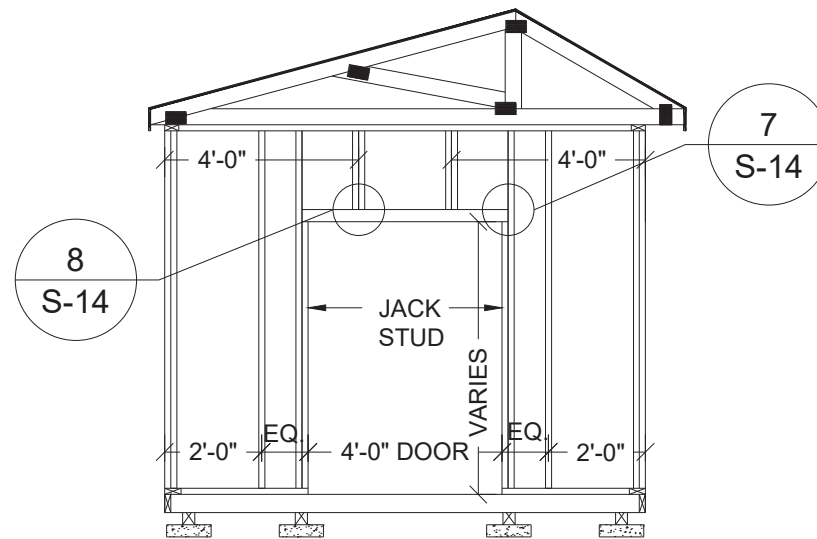
SHEET:
S-7
SHEET 7 OF 14

THESE PLANS WERE DESIGNED IN ACCORDANCE WITH THE 6TH EDITION, 2017 FLORIDA BUILDING CODE.



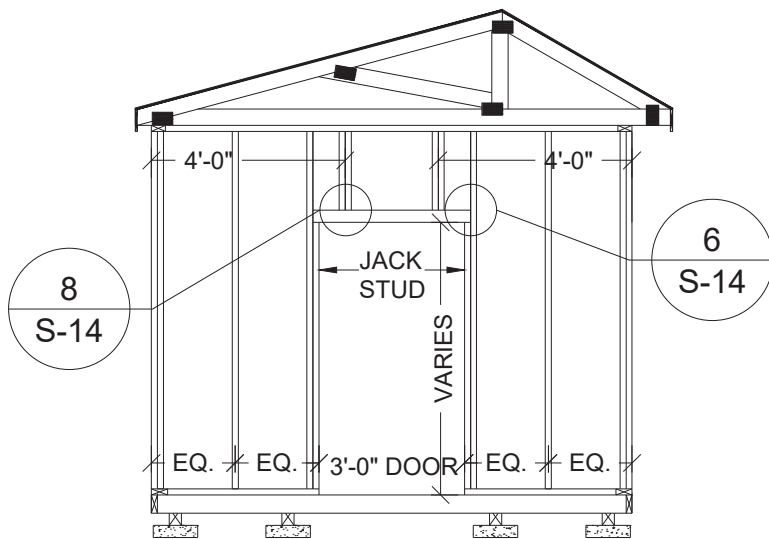
9'-11½" SHED ENDWALL
WITH NO OPENING

1
S-8 **FRAMING ELEVATION**
SCALE: 1/4" = 1'-0"



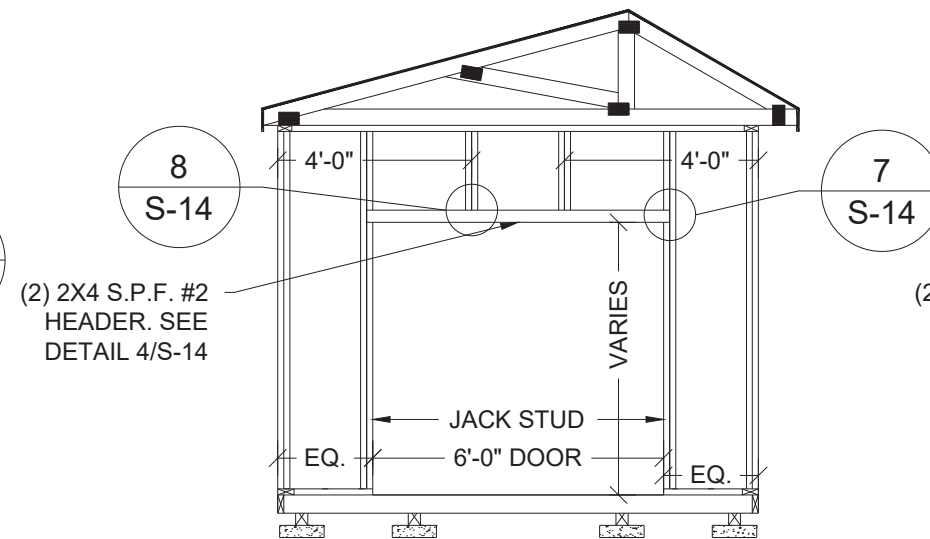
9'-11½" SHED ENDWALL
WITH 4'-0" DOOR OPENING

2
S-8 **FRAMING ELEVATION**
SCALE: 1/4" = 1'-0"



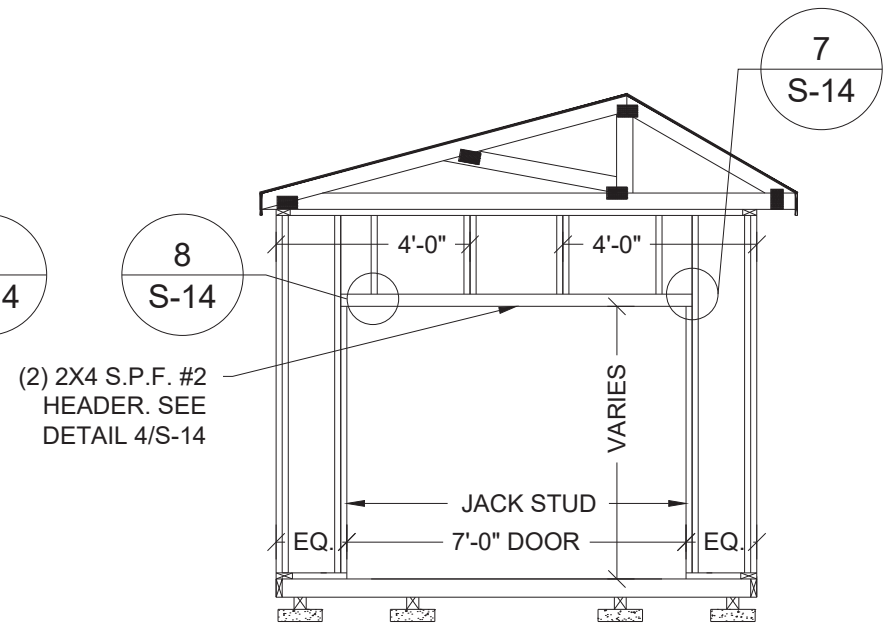
9'-11½" SHED ENDWALL
WITH 3'-0" DOOR OPENING

3
S-8 **FRAMING ELEVATION**
SCALE: 1/4" = 1'-0"



9'-11½" SHED ENDWALL
WITH 6'-0" DOOR OPENING

4
S-8 **FRAMING ELEVATION**
SCALE: 1/4" = 1'-0"



9'-11½" SHED ENDWALL
WITH 7'-0" DOOR OPENING

5
S-8 **FRAMING ELEVATION**
SCALE: 1/4" = 1'-0"

Engineer: Kent Bice
FL License #: 50421

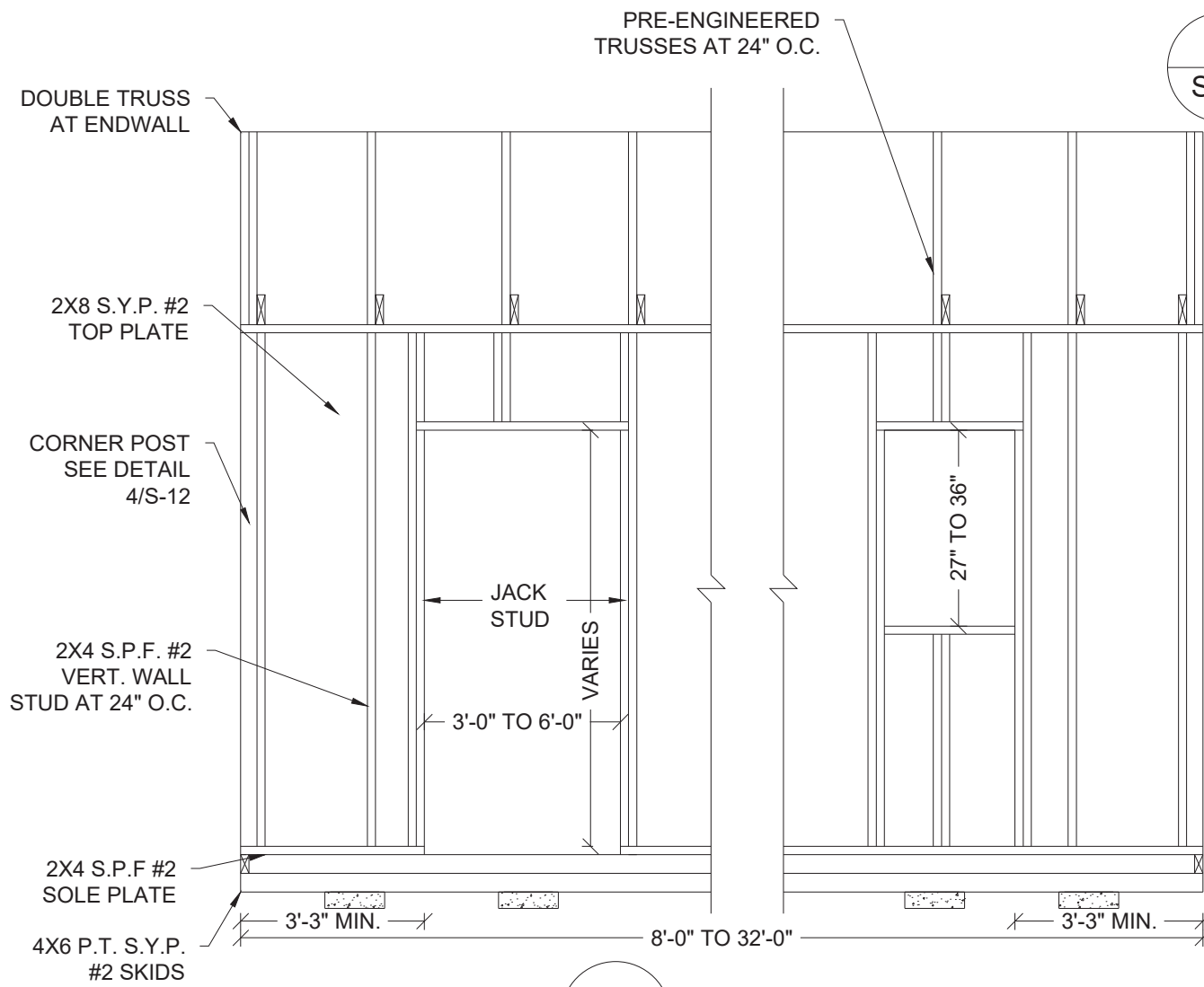
1552 6TH ST., WINTER HAVEN, FL 33880
(863)865-6502

**9'-11 1/2" SHED
FRAMING ELEVATIONS**

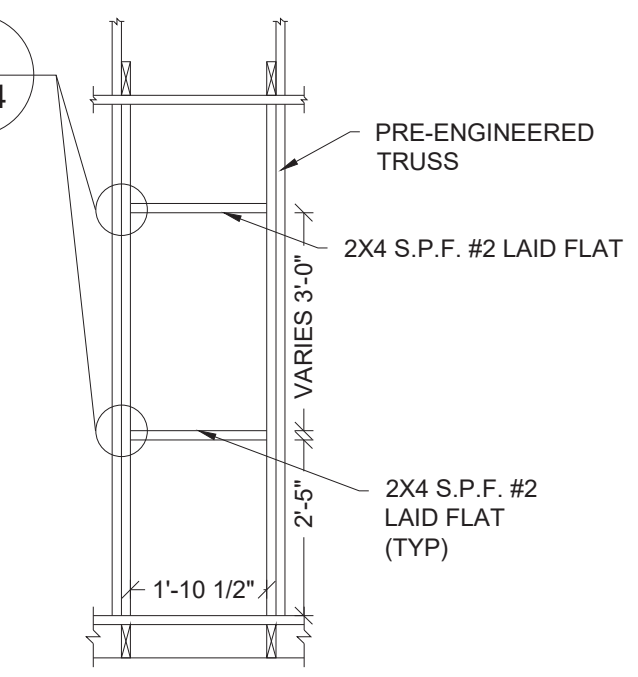
DATE: 12/12/17	DRAWN BY: RD
SCALE: AS NOTED	CHECKED BY: KMB

SHEET:
S-8
SHEET 8 OF 14

THESE PLANS WERE DESIGNED IN ACCORDANCE WITH THE 6TH EDITION, 2017 FLORIDA BUILDING CODE.

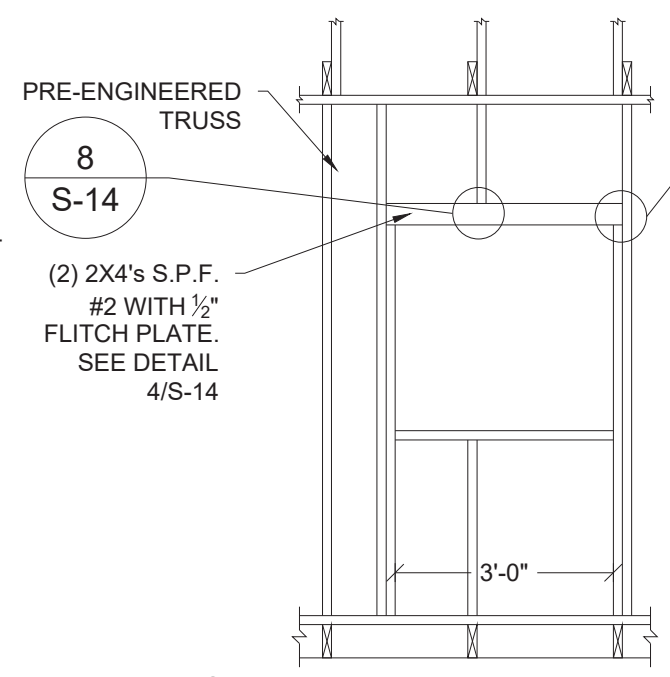


1 FRAMING ELEVATION
S-9 SCALE: 3/8" = 1'-0"



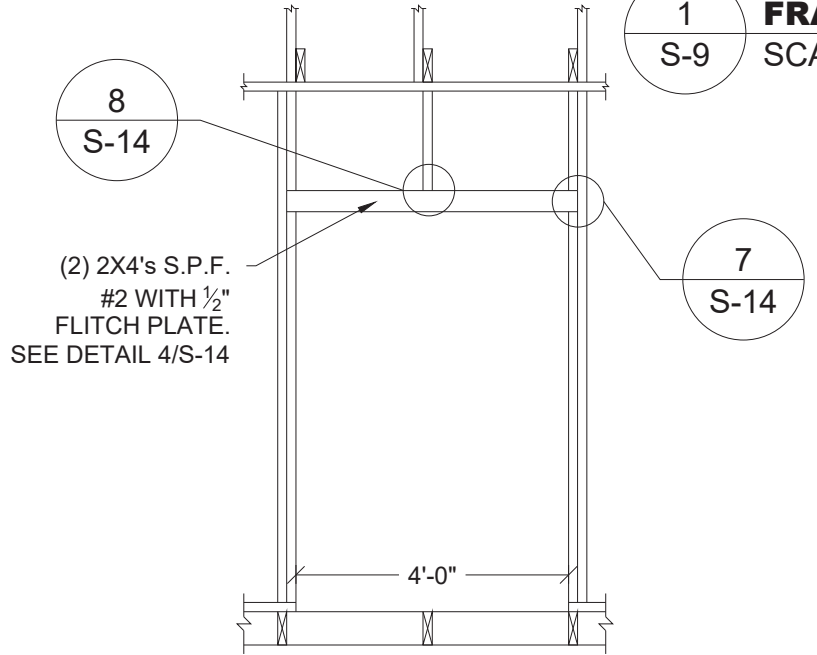
2 FRAMING ELEVATION
S-9 SCALE: 3/8" = 1'-0"

NOTE:
FOR 3'-0" WIDE DOOR IN SIDEWALL, HEADER IS FLATWISE 1-3/4" X 3-1/2" 1.9E MICROLLAM LVL UNDER 2X4 S.P.F. #2 TOP PLATE. SEE DETAIL 3/S-14.

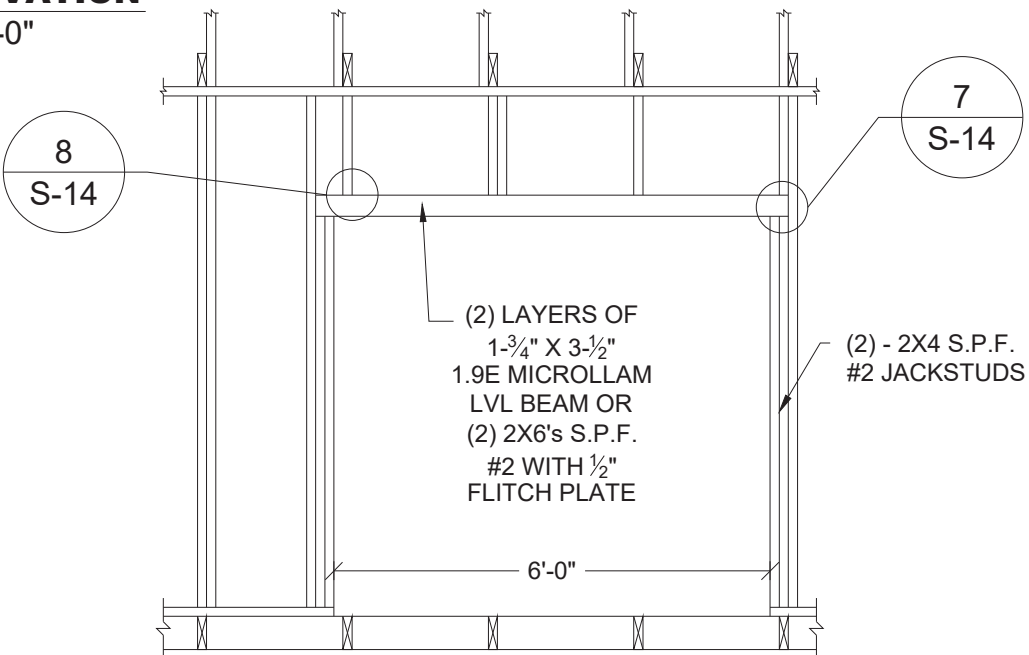


3 FRAMING ELEVATION
S-9 SCALE: 3/8" = 1'-0"

NOTE:
MAX. OPENING ON SIDEWALL MAY BE INCREASED TO 8'-0" IF (A) BUILDING LENGTH IS GREATER THAN 16'-0" AND (B) CRITERIA IN NOTES 3 AND 4 FOR SHEARWALL FROM SHEET S-6 ARE MET. HEADER SHALL BE (2) 2X8 S.P.F. #2 MIN.



4 FRAMING ELEVATION
S-9 SCALE: 3/8" = 1'-0"



5 FRAMING ELEVATION
S-9 SCALE: 3/8" = 1'-0"



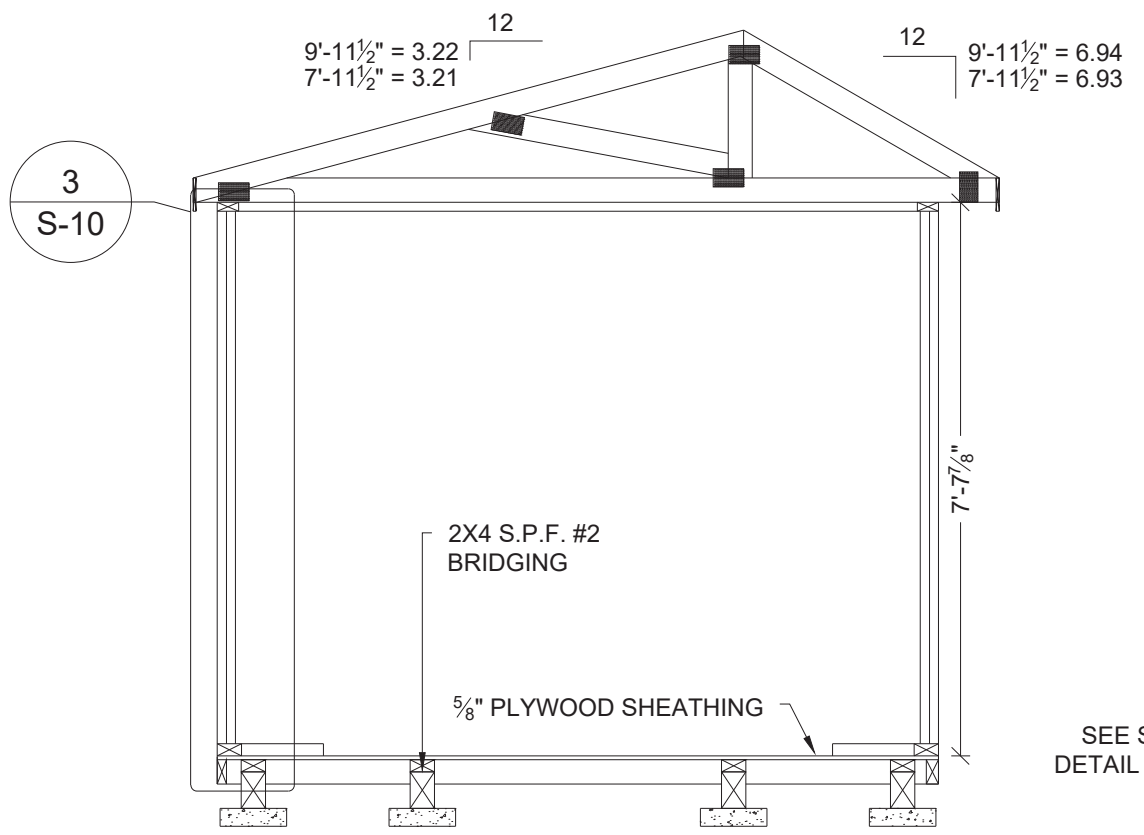
Engineer: Kent Bice
FL License #: 50421
1552 6TH ST., WINTER HAVEN, FL 33880
(863)865-6502

SIDE WALL ELEVATION

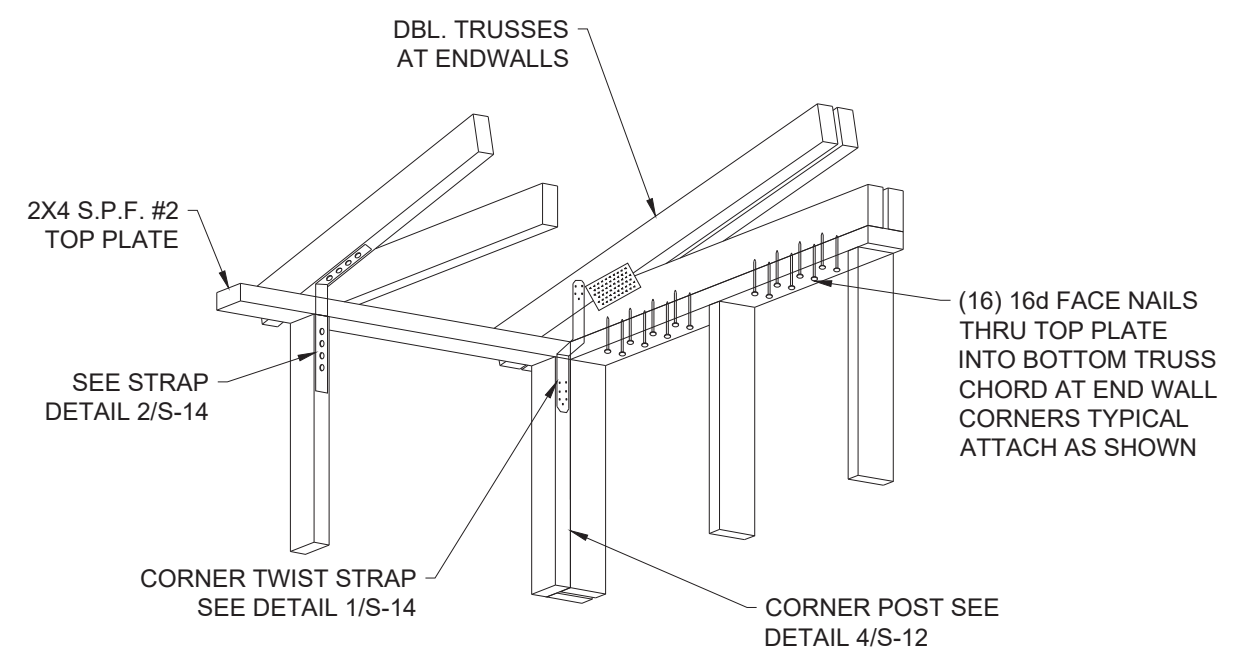
DATE: 12/12/17	DRAWN BY: RD
SCALE: AS NOTED	CHECKED BY: KMB

SHEET:
S-9
SHEET 9 OF 14

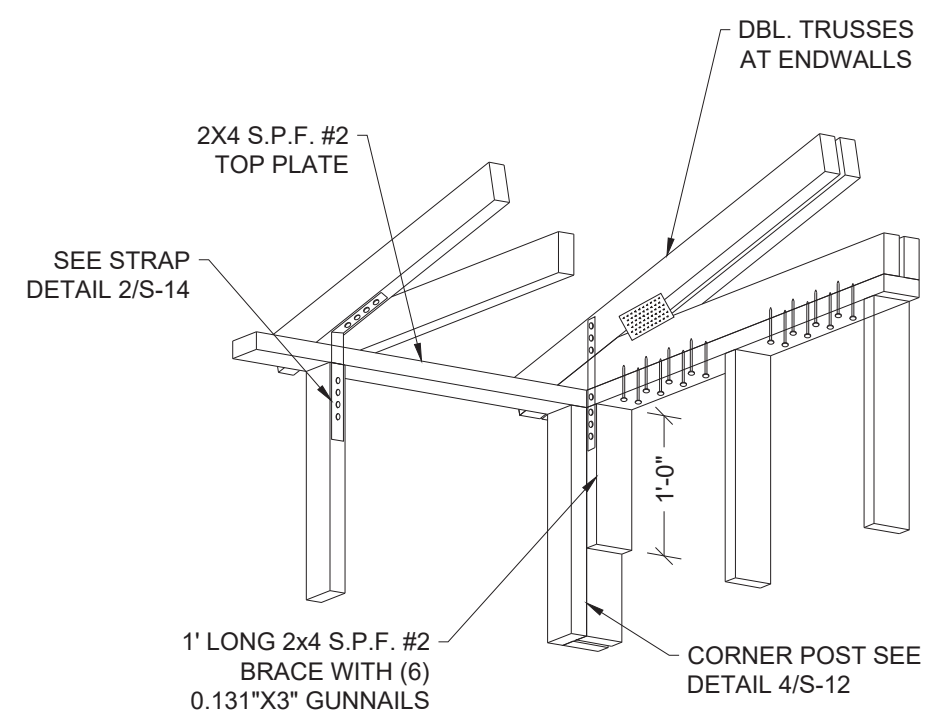
THESE PLANS WERE DESIGNED IN ACCORDANCE WITH THE 6TH EDITION, 2017 FLORIDA BUILDING CODE.



1 CROSS SECTION
S-10 SCALE: 3/8" = 1'-0"
EXAMPLE IS OF A 9'-11 1/2" UNIT



2 CORNER DETAIL
S-10 SCALE: 3/8" = 1'-0"



3 ALTERNATE CORNER DETAIL
S-10 SCALE: 3/8" = 1'-0"

Engineer: Kent Bice
FL License #: 50421

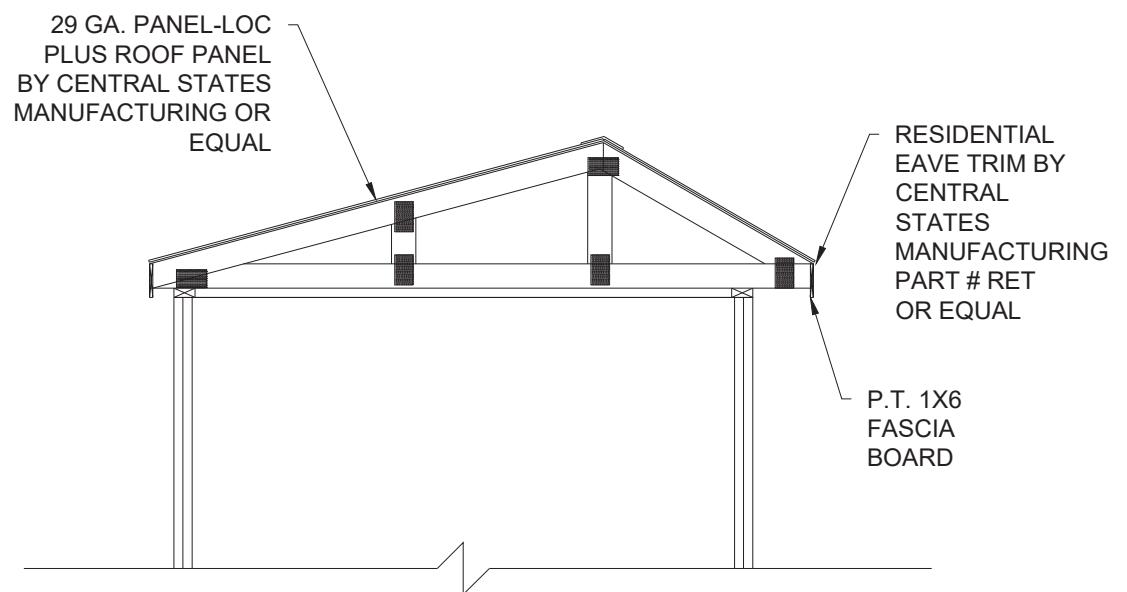


1552 6TH ST., WINTER HAVEN, FL 33880
(863)865-6502

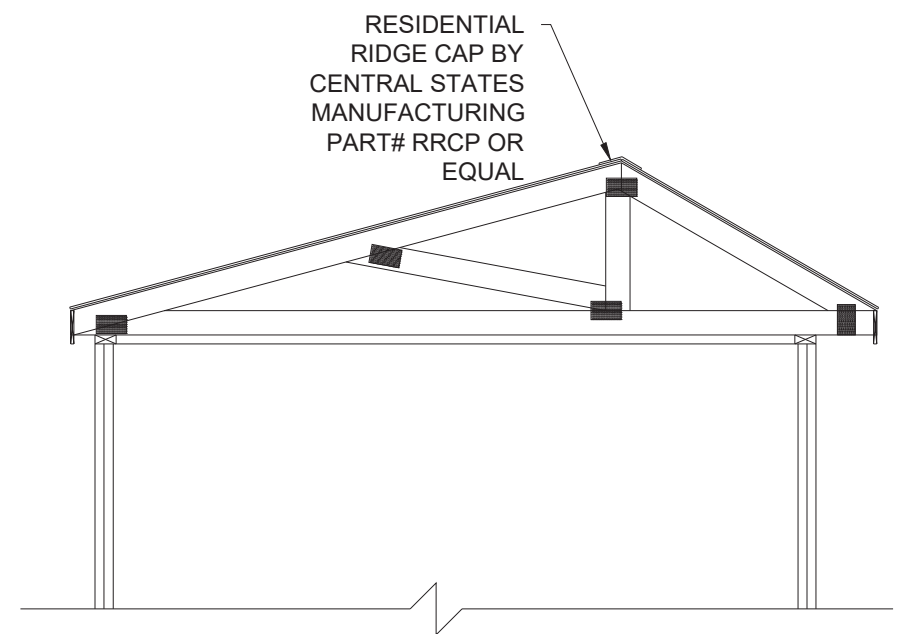
CROSS SECTIONS	
DATE: 12/12/17	DRAWN BY: RD
SCALE: AS NOTED	CHECKED BY: KMB

SHEET:
S-10
SHEET 10 OF 14

THESE PLANS WERE DESIGNED IN ACCORDANCE WITH THE 6TH EDITION, 2017 FLORIDA BUILDING CODE.



7'-11½" WIDE
OPTIONAL METAL ROOF
1
S-11 **CROSS SECTION**
SCALE: 3/8" = 1'-0"



9'-11½" WIDE
OPTIONAL METAL ROOF
2
S-11 **CROSS SECTION**
SCALE: 3/8" = 1'-0"

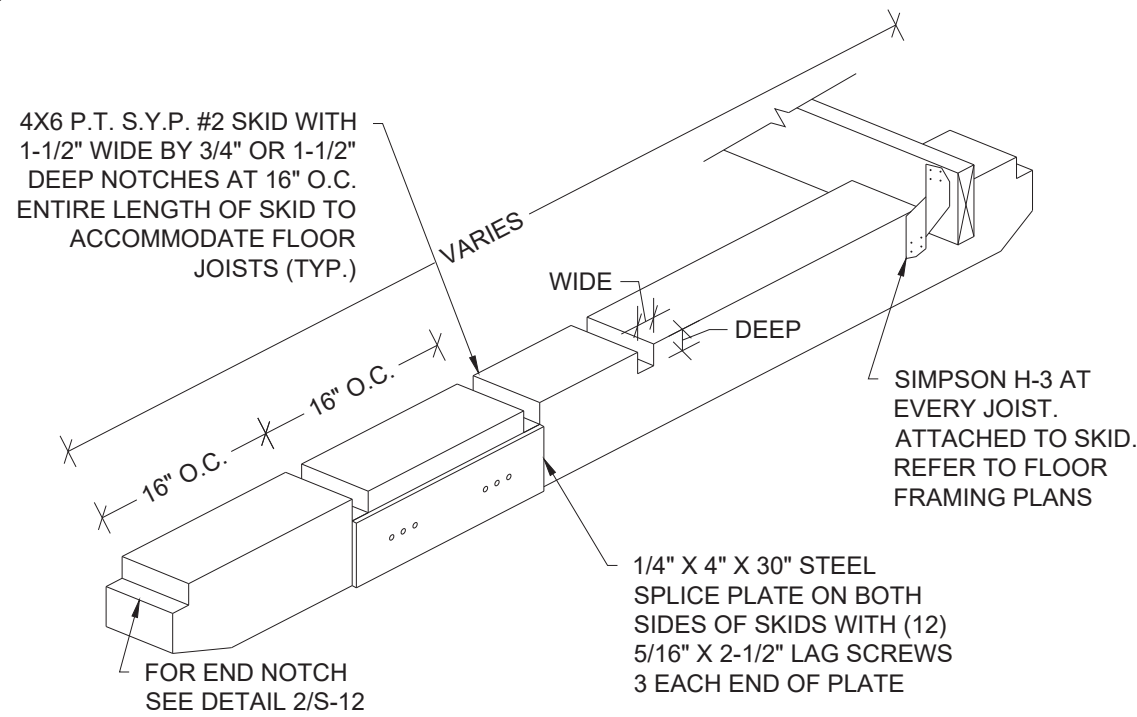
Engineer: Kent Bice
FL License #: 50421



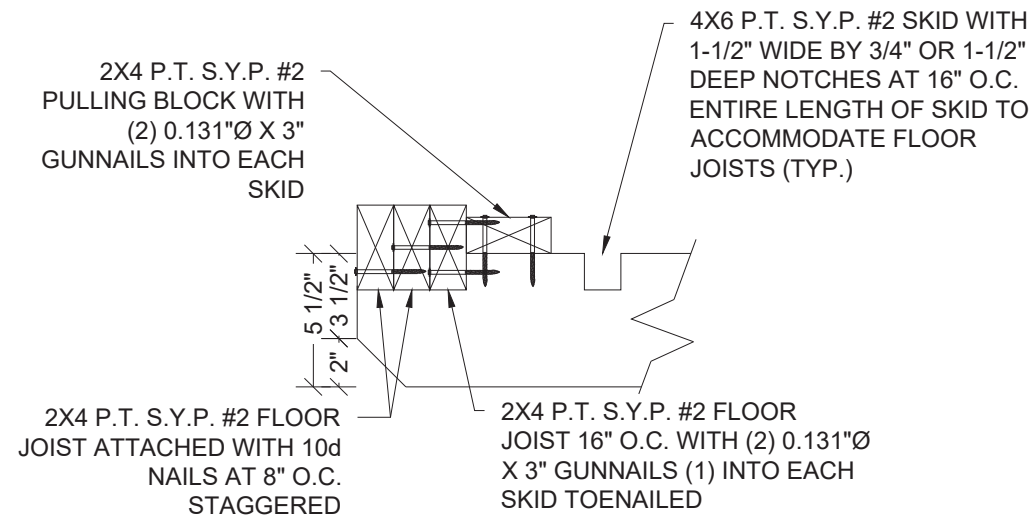
1552 6TH ST., WINTER HAVEN, FL 33880
(863)865-6502

CROSS SECTIONS		SHEET: S-11 SHEET 11 OF 14
DATE: 12/12/17	DRAWN BY: RD	
SCALE: AS NOTED	CHECKED BY: KMB	

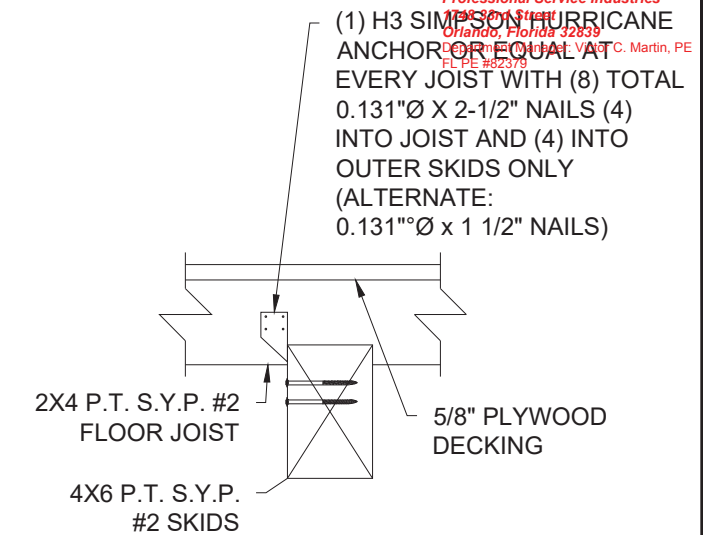
THESE PLANS WERE DESIGNED IN ACCORDANCE WITH THE 6TH EDITION, 2017 FLORIDA BUILDING CODE.



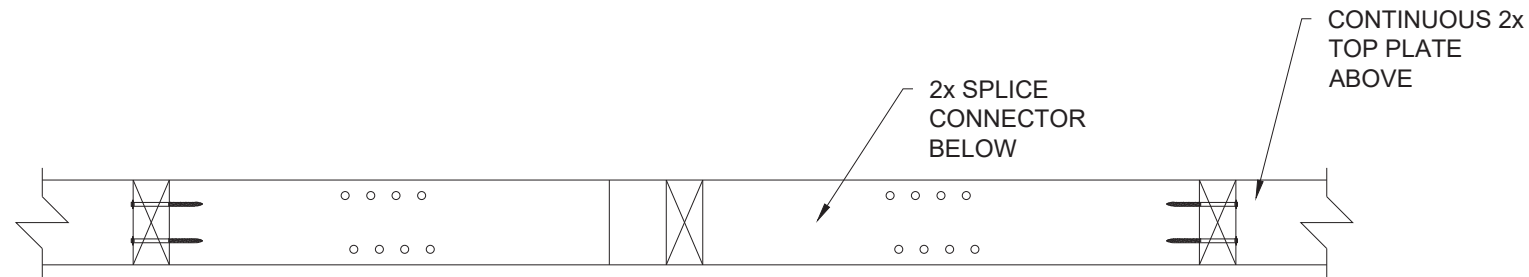
1 **ISOMETRIC SKID DETAIL**
S-12 SCALE: N.T.S.



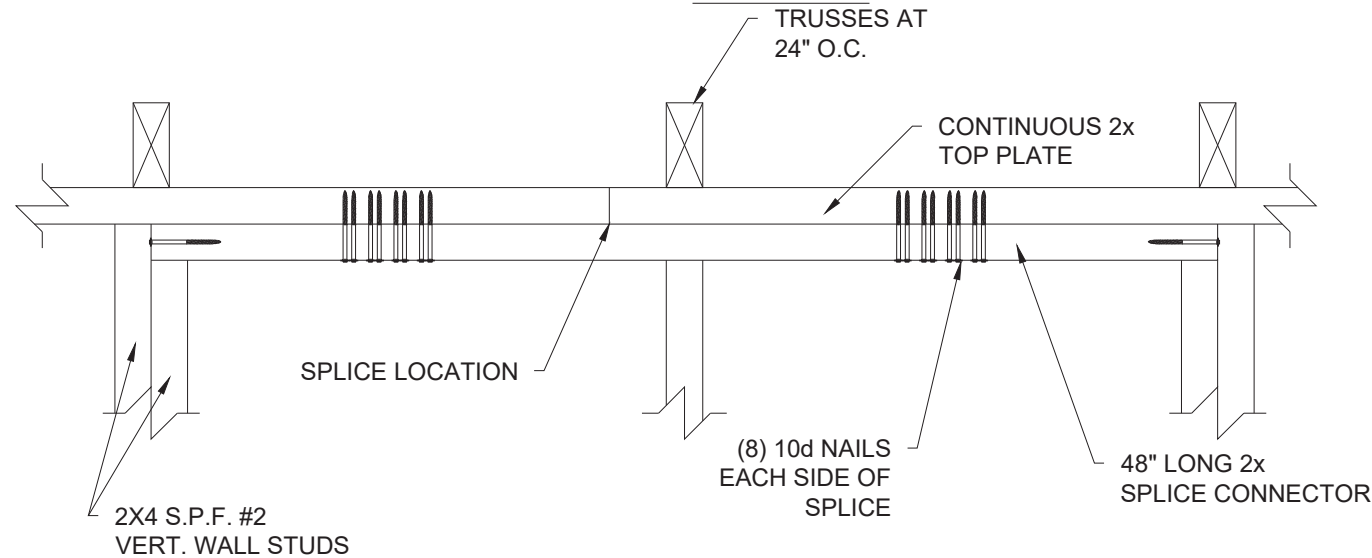
2 **END WALL JOIST DETAIL**
S-12 SCALE: 1-1/2" = 1'-0"



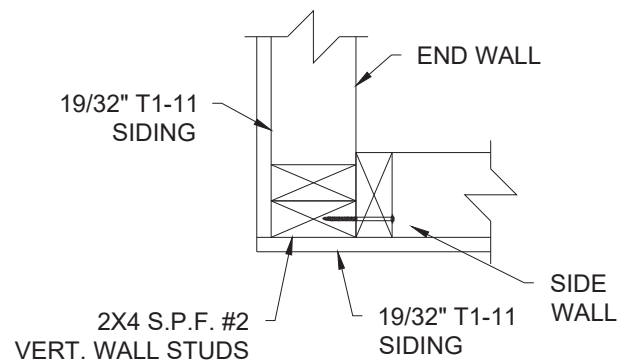
3 **SKID CONNECTION DETAIL**
S-12 SCALE: 1-1/2" = 1'-0"



SPLICE CONNECTION DETAIL
PLAN VIEW



5 **SPLICE CONNECTION DETAIL**
S-12 SCALE: 1-1/2" = 1'-0"



4 **CORNER CONNECTION DETAIL**
S-12 SCALE 1-1/2" = 1'-0"

Engineer: Kent Bice
FL License #: 50421



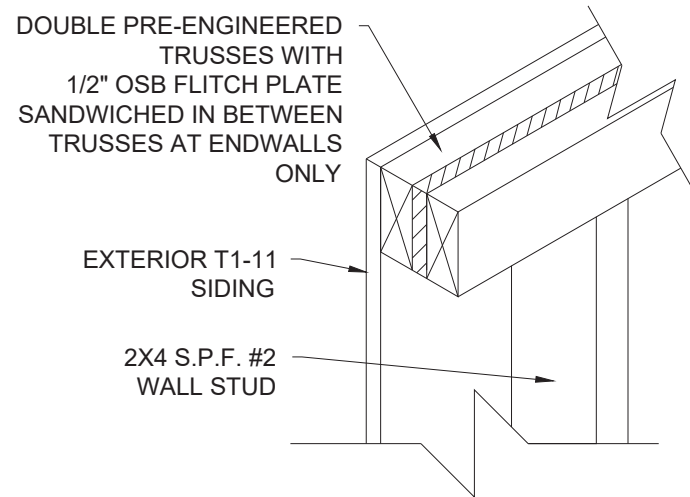
1552 6TH ST., WINTER HAVEN, FL 33880
(863)865-6502

DETAILS

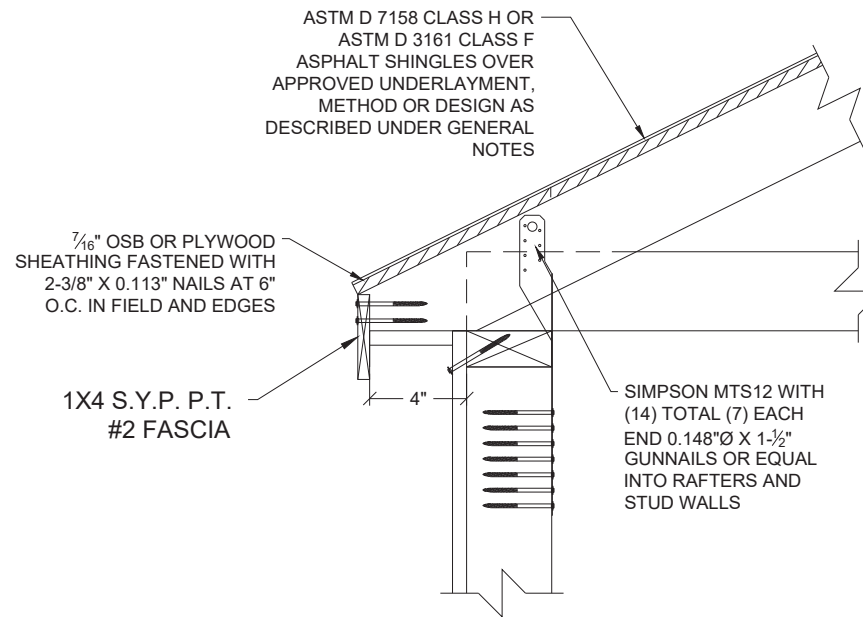
DATE: 12/12/17 DRAWN BY: RD
SCALE: AS NOTED CHECKED BY: KMB

SHEET:
S-12
SHEET 12 OF 14

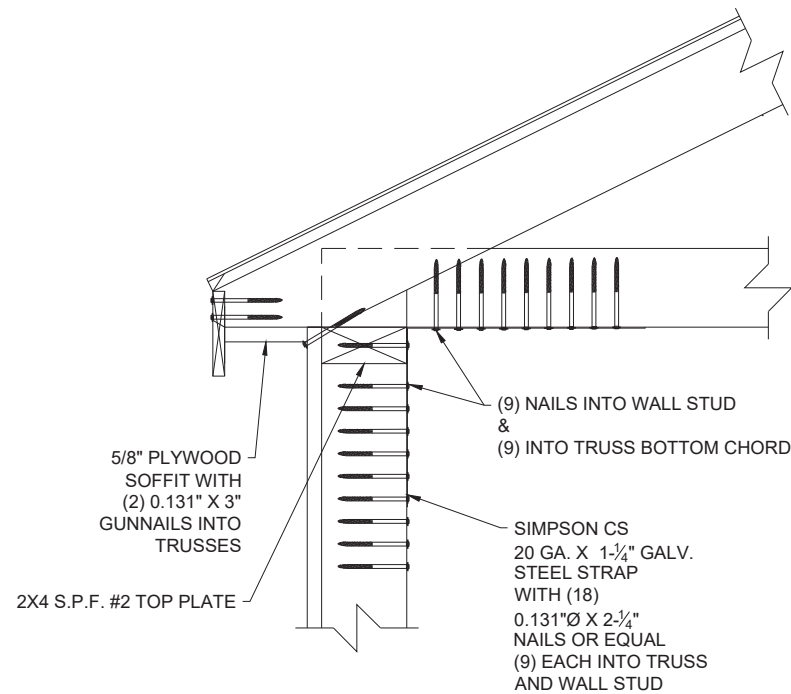
THESE PLANS WERE DESIGNED IN ACCORDANCE WITH THE 6TH EDITION, 2017 FLORIDA BUILDING CODE.



1
S-13 **DOUBLE TRUSS DETAIL**
SCALE: 1-1/2" = 1'-0"

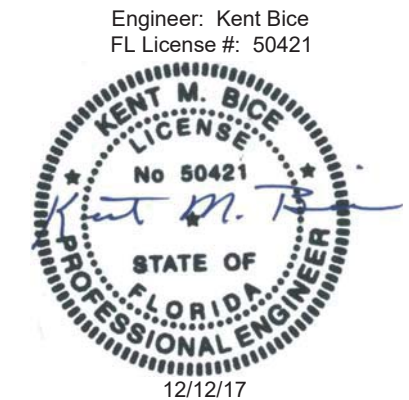


3
S-13 **ALTERNATE WALL STUD TO RAFTER AND FLOOR FASTENING DETAIL**
SCALE: 1-1/2" = 1'-0"



2
S-13 **WALL STUD TO RAFTER FASTENING**
SCALE: 1-1/2" = 1'-0"

NOTE:
FOR ALL FASTENING OF FRAMING MEMBERS NOT NOTED ON THIS SHEET, REFER TO FASTENING SCHEDULE ON SHEET S-4.



1552 6TH ST., WINTER HAVEN, FL 33880
(863)865-6502

DETAILS		SHEET: S-13 SHEET 13 OF 14
DATE: 12/12/17	DRAWN BY: RD	
SCALE: AS NOTED	CHECKED BY: KMB	

THESE PLANS WERE DESIGNED IN ACCORDANCE WITH THE 6TH EDITION, 2017 FLORIDA BUILDING CODE.



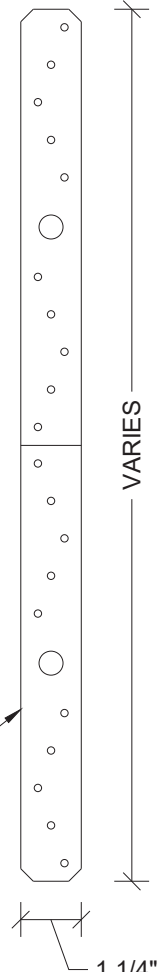
16 GA. GALVANIZED STEEL WITH
(14) TOTAL (7) EACH END
0.148"Ø X 1-1/2" NAILS OR EQUAL INTO
RAFTERS AND STUD WALLS

1 SIMPSON STRAP DETAIL
S-14 SCALE: 3" = 1'-0"

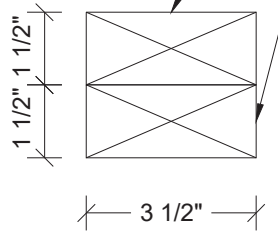
NOTE: USED ON EVERY
WALL STUD TO
CONNECT WALL TO
ROOF TRUSS

SIMPSON CS20 20 GA X 1-1/4"
GALV. STEEL STRAP WITH
(18) 0.131"Ø X 2-1/4" NAILS
OR EQUAL (9) INTO
RAFTERS AND (9) INTO
STUD WALL

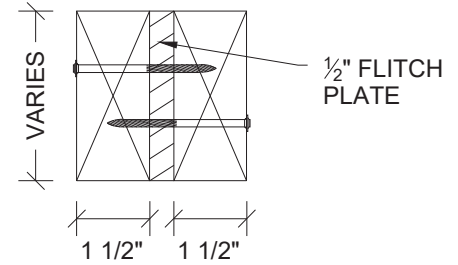
2 STRAP DETAIL
S-14 SCALE: 3" = 1'-0"



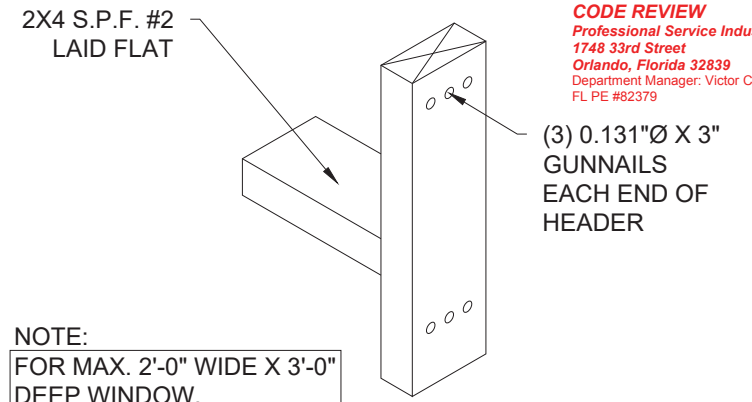
2X4 S.P.F. #2 TOP PLATE
FOR MAX. 3'-0" WIDE OPENING:
2X4 S.P.F. #2 IN END WALL.
1-3/4" X 3-1/2" 1.9E MICROLLAM
LVL IN SIDE WALL



3 HEADER SECTION
S-14 SCALE: 3" = 1'-0"

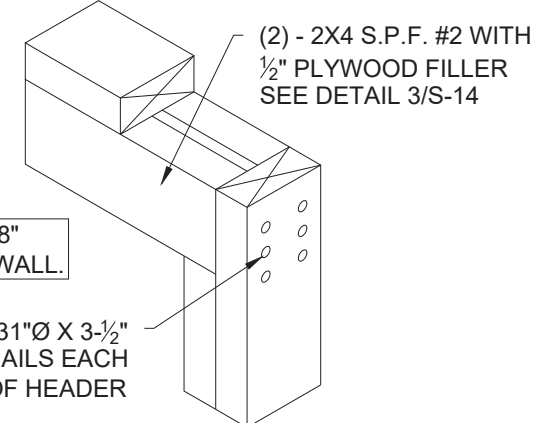


4 HEADER SECTION
S-14 SCALE: 3" = 1'-0"



NOTE:
FOR MAX. 2'-0" WIDE X 3'-0"
DEEP WINDOW.

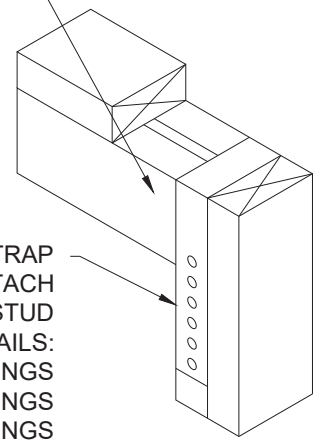
5 WINDOW HEADER AND SILL DETAIL
S-14 SCALE: N.T.S.



NOTE:
FOR MAX. 6'-0" WIDE X 6'-8"
DEEP OPENING ON END WALL.

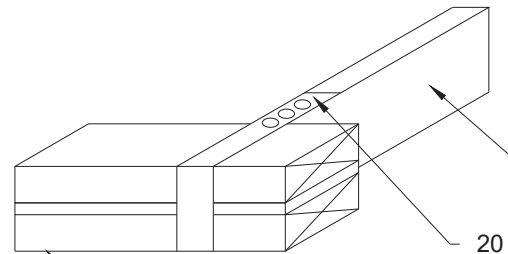
6 HEADER WITHOUT STRAP
S-14 SCALE: N.T.S.

FOR MAX. 4'-0" WIDE X 5'-10" DEEP OPENINGS
IN SIDE WALL - (2) 2X4 S.P.F. #2 WITH 1/2"
PLYWOOD FILLER.
FOR MAX. 6'-0" WIDE X 5'-10" DEEP OPENINGS
IN SIDE WALL - (2) 2X6 S.P.F. #2 WITH 1/2"
PLYWOOD FILLER OR (2) 1-3/4" X 3-1/2" 1.9E
MICROLLAM LVL
FOR OPENINGS IN END WALL:
(2) 2X4 S.P.F. #2 WITH 1/2" PLYWOOD FILLER.



SIMPSON CS20 20GA. X 1-1/2" STRAP
WRAPPED OVER HEADER. ATTACH
STRAP TO EACH SIDE OF JACK STUD
WITH 0.131"Ø GUNNAILS:
(3) NAILS FOR UP TO 3'-0" WIDE OPENINGS
(6) NAILS FOR UP TO 6'-0" WIDE OPENINGS
(9) NAILS FOR UP TO 8'-0" WIDE OPENINGS

7 HEADER WITH STRAP
S-14 SCALE: N.T.S.



20 GA. STRAP TO WRAP UNDER
DOOR HEADER TO OTHER SIDE
OF CRIPPLE STUD WITH (3)
0.131"Ø X 2-1/4" GUNNAILS OR
EQUAL ON EACH SIDE

8 CRIPPLE STUD WITH STRAP DETAIL
S-14 SCALE: N.T.S.

Engineer: Kent Bice
FL License #: 50421



1552 6TH ST., WINTER HAVEN, FL 33880
(863)865-6502

Note:
FOR MAX. 6'-0" WIDE X 5'-10"
DEEP OPENING ON SIDE WALL.
AND MAX. 8'-0" WIDE X 6'-8"
DEEP OPENING ON END WALL.

DETAILS	
DATE: 12/12/17	DRAWN BY: RD
SCALE: AS NOTED	CHECKED BY: KMB

SHEET:
S-14
SHEET 14 OF 14

THESE PLANS WERE DESIGNED IN ACCORDANCE WITH THE 6TH EDITION, 2017 FLORIDA BUILDING CODE.

COOK PORTABLE WAREHOUSES

100 DOUGLAS ST. VALDOSTA, GA 31601
 132 CENTRAL INDUSTRIAL ROW, PURVIS, MS 39475
 1398 HWY 95 NORHT, BASTROP, TX 78602

TIEDOWN PLANS STATE OF FLORIDA

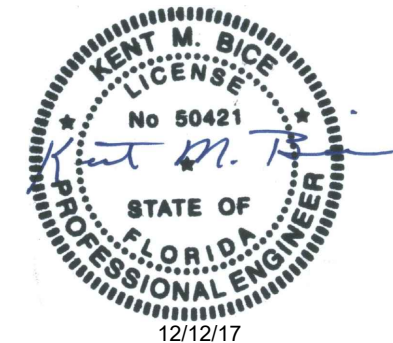
GENERAL NOTES

1. THE CONTRACTOR SHALL BE RESPONSIBLE FOR VERIFYING ALL EXISTING CONDITIONS.
2. THE CONTRACTOR SHALL BE RESPONSIBLE FOR COORDINATING ARCHITECTURAL, STRUCTURAL, MECHANICAL, AND ELECTRICAL DETAIL AND DIMENSIONS. ANY DISCREPANCIES BETWEEN SUCH DETAILS AND DIMENSIONS SHALL BE REPORTED TO THE ENGINEER PRIOR TO PROCEEDING WITH THE WORK.
3. THE CONTRACTOR SHALL BE RESPONSIBLE FOR ERECTION PROCEDURE AND SEQUENCE TO INSURE THE INTEGRITY OF THE BUILDING AND ITS COMPONENT PARTS DURING CONSTRUCTION.
4. THESE PLANS HAVE BEEN PREPARED PER REGULATIONS OF THE 6TH EDITION, 2017 FLORIDA BUILDING CODE. THE WORK OF ALL CONTRACTORS SHALL COMPLY WITH THE REQUIREMENTS SET FORTH IN THE AFOREMENTIONED CODE. NO DEVIATIONS FROM THE WORK SHOWN OR REASONABLY IMPLIED SHALL BE UNDERTAKEN WITHOUT THE ENGINEERS WRITTEN CONSENT - A COPY OF WHICH WILL BE FILED WITH THE CONSTRUCTION OFFICIAL.
5. ANY CHANGES TO OR DEVIATIONS FROM THESE DRAWINGS SHALL NOT BE MADE WITHOUT WRITTEN CONSENT FROM THE ENGINEER.
6. THESE DRAWINGS ARE THE PROPERTY OF THE ENGINEER AND SHALL NOT BE USED WITHOUT HIS CONSENT. DRAWINGS SHALL NOT BE USED FOR ISSUE OF BUILDING PERMIT UNLESS SIGNED AND SEALED BY THE ENGINEER.
7. THE OWNER AND THE CONTRACTOR SHALL HOLD HARMLESS THE ENGINEER FROM AND AGAINST ALL LIABILITY CLAIMS, DAMAGES, LOSSES, AND EXPENSES INCLUDING LEGAL FEES ARISING OUT OF OR RESULTING FROM ERRORS OR OMISSIONS IN THE PERFORMANCE OF THE WORK BY THE CONTRACTOR. THE DRAWINGS SHOW THE GENERAL ARRANGEMENTS AND EXTENT OF THE WORK. AS THE WORK PROGRESSES, THE OWNER AND THE CONTRACTOR, AT NO EXTRA COSTS, SHALL MAKE THE MODIFICATIONS TO MAKE THE PARTS ALIGN.
8. ALL WORK AND MATERIALS SHALL MEET THE REQUIREMENTS OF LOCAL AND STATE CODES AND THE SPECS OF THE NATIONAL BOARD OF FIRE UNDERWRITERS. CONTRACTORS SHALL CHECK AND VERIFY ALL PLAN DIMENSIONS AND CONDITIONS BEFORE PROCEEDING WITH CONSTRUCTION. HE SHALL REPORT ANY DISCREPANCIES TO THE ENGINEER FOR CORRECTION PRIOR TO BEGINNING ANY WORK. THE DISCOVERY OF DISCREPANCIES AFTER THE BEGINNING OF WORK WILL BE EVIDENCE OF FAULTY WORK. AND SHALL BE THE RESPONSIBILITY OF THE CONTRACTOR. DO NOT SCALE DRAWINGS. ALL WRITTEN DIMENSIONS GOVERN.
9. THE CONTRACTOR FOR THIS PROJECT SHALL INCLUDE ALL MATERIALS AND LABOR REQUIRED TO COMPLETE THE TOTAL PROJECT. THE CONTRACTOR SHALL FURNISH AND PAY FOR ALL MATERIALS. TOOLS, EQUIPMENT, LABOR, MACHINERY, TRANSPORTATION, HEAT, WATER, UTILITIES, AND ALL OTHER FACILITIES AND SERVICES REQUIRED FOR THE SAFE AND PROPER EXECUTION AND COMPLETION OF THE WORK.
10. THE DOCUMENTS SHOW AN OVERVIEW OF THE WORK REQUIRED UNDER THIS CONTRACT AND RELATED REQUIREMENTS AND CONDITIONS THAT WILL IMPACT THE PROJECT. ALL DRAWINGS ARE COMPLIMENTARY. THE DRAWINGS GENERALLY SHOW THE INTENT OF THE OVERALL COMPLEXITY AND CONCEPTS OF THE PROJECT, AND DO NOT NECESSARILY SHOW ALL DETAILS AND CONDITIONS. ALL NEW INTERIOR CONCRETE SLABS AND FOUNDATION WALLS AND FOOTINGS SHALL HAVE SOIL POISONING UNDER NEW WORK AND SHALL BE INSTALLED BY A LICENSED CONTRACTOR.
11. ALL WORK SHALL BE COMPLETED IN ACCORDANCE WITH ALL STATE AND DEPARTMENT OF AGRICULTURE, STRUCTURAL PEST CONTROL DIVISION REGULATIONS, RULES DEFINITIONS AND REQUIREMENTS.
12. THE CONTRACTOR SHALL BE RESPONSIBLE FOR VERIFYING AND MAINTAINING ALL EXISTING SETBACKS, EASEMENTS, AND ANY DEED RESTRICTIONS.
13. THE CONTRACTOR SHALL BE RESPONSIBLE FOR FINAL CLEANUP AND SHALL INCLUDE THE SITE, AND THE BUILDING. THE ENTIRE PROJECT SHALL BE LEFT IN A NEW, CLEAN CONDITION.
14. TIEDOWNS SHOWN INCLUDING STRAP AND ANCHOR, AND BEARING PADS ARE BASED ON AN ALLOWABLE BEARING PRESSURE OF 2500 PSF. ANY SOIL CONDITIONS THAT MAY DIFFER FROM THIS MUST BE BROUGHT TO THE ATTENTION OF THE ENGINEER.
15. THE CONTRACTOR IS RECOMMENDED TO USE A SOIL TEST PROBE TO DETERMINE THE SOIL CLASS. WHERE SUCH TESTING IS NOT CONDUCTED, IT IS RECOMMENDED TO USE A 60" GALVANIZED ANCHOR WITH STABILIZER PLATE.
16. CONCRETE PADS UNDER SKIDS ARE OPTIONAL AND SHALL BE LOCATED ON UNDISTURBED SOIL OR PROPERLY COMPACTED FILL MATERIAL. COMPACTED SOIL SHALL BE TESTED TO A MINIMUM OF 95% PROCTOR IN ACCORDANCE WITH ASTM D1557. FILL MATERIAL SHALL BE FREE OF VEGETATION AND FOREIGN MATERIAL.
17. FINISH GRADE SHALL BE SLOPED AWAY FROM THE FOUNDATION FOR DRAINAGE. PROVISIONS SHALL BE MADE TO PREVENT SOIL EROSION UNDER THE PAD AND DIRECT WATER AWAY FROM IT.

Sheet Index

SHEET NUMBER	SHEET TITLE
F-1	TIEDOWN GENERAL NOTES
F-2	TIEDOWN SCHEDULE FOR EXPOSURE B
F-3	TIEDOWN SCHEDULE FOR EXPOSURE C
F-4	GROUND ANCHOR SCHEDULE
F-5	TIEDOWN SECTIONS
F-6	OPTIONAL PAD DETAILS

Engineer: Kent Bice
 FL License #: 50421



1552 6TH ST., WINTER HAVEN, FL 33880
 (863)865-6502

GENERAL NOTES

DATE: 12/12/17 DRAWN BY: RD
 SCALE: AS NOTED CHECKED BY: KMB

SHEET:

F-1

SHEET 1 OF 6

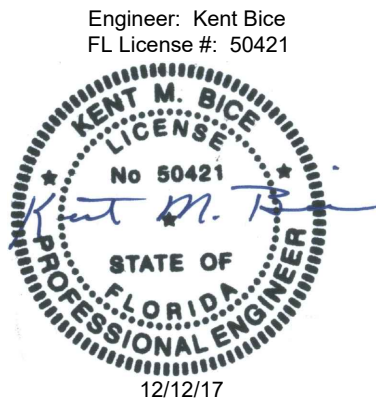
THESE PLANS WERE DESIGNED IN ACCORDANCE WITH THE 6TH EDITION, 2017 FLORIDA BUILDING CODE.

TIEDOWN SCHEDULE FOR UP TO 110 MPH WIND SPEED, EXPOSURE "B"													
BLDG WIDTH	NUMBER OF TIEDOWNS PER OUTER SKID BY BUILDING LENGTH (FT)												
	8'-0"	10'-0"	12'-0"	14'-0"	16'-0"	18'-0"	20'-0"	22'-0"	24'-0"	26'-0"	28'-0"	30'-0"	32'-0"
7'-11" 1/2"	2	2	2	2	2	2	2	2	2	N.A.	N.A.	N.A.	N.A.
9'-11" 1/2"	2	2	2	2	2	2	2	2	2	2	2	2	N.A.
11'-0"	2	2	2	2	2	2	2	2	2	2	2	2	2

TIEDOWN SCHEDULE FOR 111 TO 130 MPH WIND SPEED, EXPOSURE "B"													
BLDG WIDTH	NUMBER OF TIEDOWNS PER OUTER SKID BY BUILDING LENGTH (FT)												
	8'-0"	10'-0"	12'-0"	14'-0"	16'-0"	18'-0"	20'-0"	22'-0"	24'-0"	26'-0"	28'-0"	30'-0"	32'-0"
7'-11" 1/2"	2	2	2	2	2	2	2	2	2	N.A.	N.A.	N.A.	N.A.
9'-11" 1/2"	2	2	2	2	2	2	2	2	2	2	2	2	N.A.
11'-0"	2	2	2	2	2	2	2	2	2	2	2	2	2

TIEDOWN SCHEDULE FOR 131 TO 160 MPH WIND SPEED, EXPOSURE "B"													
BLDG WIDTH	NUMBER OF TIEDOWNS PER OUTER SKID BY BUILDING LENGTH (FT)												
	8'-0"	10'-0"	12'-0"	14'-0"	16'-0"	18'-0"	20'-0"	22'-0"	24'-0"	26'-0"	28'-0"	30'-0"	32'-0"
7'-11" 1/2"	2	2	2	2	2	2	3	3	3	N.A.	N.A.	N.A.	N.A.
9'-11" 1/2"	2	2	2	2	2	2	2	3	3	3	3	3	N.A.
11'-0"	2	2	2	2	2	2	2	3	3	3	3	3	4

1. PROVIDE A MINIMUM OF ONE TIEDOWN STRAP AND ANCHOR AT EACH END OF EACH OUTER SKID. EVENLY SPACE THE REMAINING TIEDOWNS.
2. WRAP THE STRAP AROUND THE SKID AND ATTACH TO ANCHOR.
3. MAXIMUM PERMITTED ANGLE OF STRAP FROM VERTICAL IS 45 DEGREES. LOCATE ANCHORS VERTICALLY INTO THE GROUND.



1552 6TH ST., WINTER HAVEN, FL 33880
(863)865-6502

TIEDOWN SCHEDULE FOR EXPOSURE B	
DATE: 12/12/17	DRAWN BY: RD
SCALE: AS NOTED	CHECKED BY: KMB

SHEET:
F-2
SHEET 2 OF 6

THESE PLANS WERE DESIGNED IN ACCORDANCE WITH THE 6TH EDITION, 2017 FLORIDA BUILDING CODE.

TIEDOWN SCHEDULE FOR UP TO 110 MPH WIND SPEED, EXPOSURE "C"

BLDG WIDTH	NUMBER OF TIEDOWNS PER OUTER SKID BY BUILDING LENGTH (FT)												
	8'-0"	10'-0"	12'-0"	14'-0"	16'-0"	18'-0"	20'-0"	22'-0"	24'-0"	26'-0"	28'-0"	30'-0"	32'-0"
7'-11" 1/2"	2	2	2	2	2	2	2	2	2	N.A.	N.A.	N.A.	N.A.
9'-11" 1/2"	2	2	2	2	2	2	2	2	2	2	2	2	N.A.
11'-0"	2	2	2	2	2	2	2	2	2	2	2	2	2

TIEDOWN SCHEDULE FOR 111 TO 130 MPH WIND SPEED, EXPOSURE "C"

BLDG WIDTH	NUMBER OF TIEDOWNS PER OUTER SKID BY BUILDING LENGTH (FT)												
	8'-0"	10'-0"	12'-0"	14'-0"	16'-0"	18'-0"	20'-0"	22'-0"	24'-0"	26'-0"	28'-0"	30'-0"	32'-0"
7'-11" 1/2"	2	2	2	2	2	2	2	2	2	N.A.	N.A.	N.A.	N.A.
9'-11" 1/2"	2	2	2	2	2	2	2	2	2	2	3	3	N.A.
11'-0"	2	2	2	2	2	2	2	2	2	2	3	3	3

TIEDOWN SCHEDULE FOR 131 TO 160 MPH WIND SPEED, EXPOSURE "C"

BLDG WIDTH	NUMBER OF TIEDOWNS PER OUTER SKID BY BUILDING LENGTH (FT)												
	8'-0"	10'-0"	12'-0"	14'-0"	16'-0"	18'-0"	20'-0"	22'-0"	24'-0"	26'-0"	28'-0"	30'-0"	32'-0"
7'-11" 1/2"	2	2	2	3	3	3	4	4	4	N.A.	N.A.	N.A.	N.A.
9'-11" 1/2"	2	2	2	2	2	3	3	3	3	3	4	4	N.A.
11'-0"	2	2	2	2	2	3	3	3	3	3	4	4	4

1. PROVIDE A MINIMUM OF ONE TIEDOWN STRAP AND ANCHOR AT EACH END OF EACH OUTER SKID. EVENLY SPACE THE REMAINING TIEDOWNS.
2. WRAP THE STRAP AROUND THE SKID AND ATTACH TO ANCHOR.
3. 3. MAXIMUM PERMITTED ANGLE OF STRAP FROM VERTICAL IS 45 DEGREES. LOCATE ANCHORS VERTICALLY INTO THE GROUND.



1552 6TH ST., WINTER HAVEN, FL 33880
(863)865-6502

TIEDOWN SCHEDULE FOR EXPOSURE C		SHEET: F-3
DATE: 12/12/17	DRAWN BY: RD	SHEET 3 OF 6
SCALE: AS NOTED	CHECKED BY: KMB	

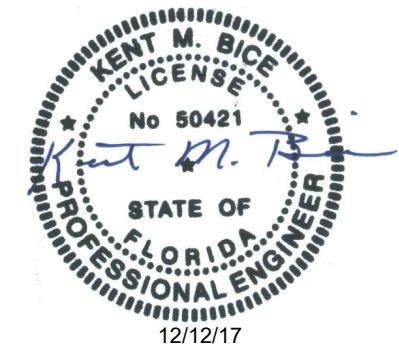
THESE PLANS WERE DESIGNED IN ACCORDANCE WITH THE 6TH EDITION, 2017 FLORIDA BUILDING CODE.

GROUND ANCHOR SCHEDULE			
MODEL #	PART #	DESCRIPTION	SOIL CLASS
M12H5/8	59080 / 59081	48" X 5/8" ROD WITH (1) 6" HELIX	4A
M12H3/4	59085 / 59094	48" X 3/4" ROD WITH (1) 6" HELIX	4A
M1423/4	59128	42" X 3/4" ROD WITH (2) 4" HELIX	4A
M1483/4	59086	48" X 3/4" ROD WITH (2) 4" HELIX	4A
M12H64	59250	36" X 3/4" ROD WITH (1) 4" HELIX AND (1) 6" HELIX	4A
N/A	59065	EYE ANCHOR - 48" X 5/8" WITH (1) 6" HELIX	4A
N/A	59045	EYE ANCHOR - 48" X 3/4" WITH (1) 6" HELIX	4A
M607	59099	60" X 3/4" WITH (1) 7" HELIX	4B
N/A	59040	EYE ANCHOR - 60" X 3/4" WITH (1) 8" HELIX	4B

NOTES:

1. ALL APPROVED ANCHORS LISTED ABOVE ARE MANUFACTURED BY TIE DOWN ENGINEERING.
2. THE CONTRACTOR MAY USE AN APPROVED EQUIVALENT WITH APPROVAL FROM THE EOR.
3. ANCHORS SHALL BE INSTALLED PER MANUFACTURER INSTRUCTIONS.

Engineer: Kent Bice
FL License #: 50421

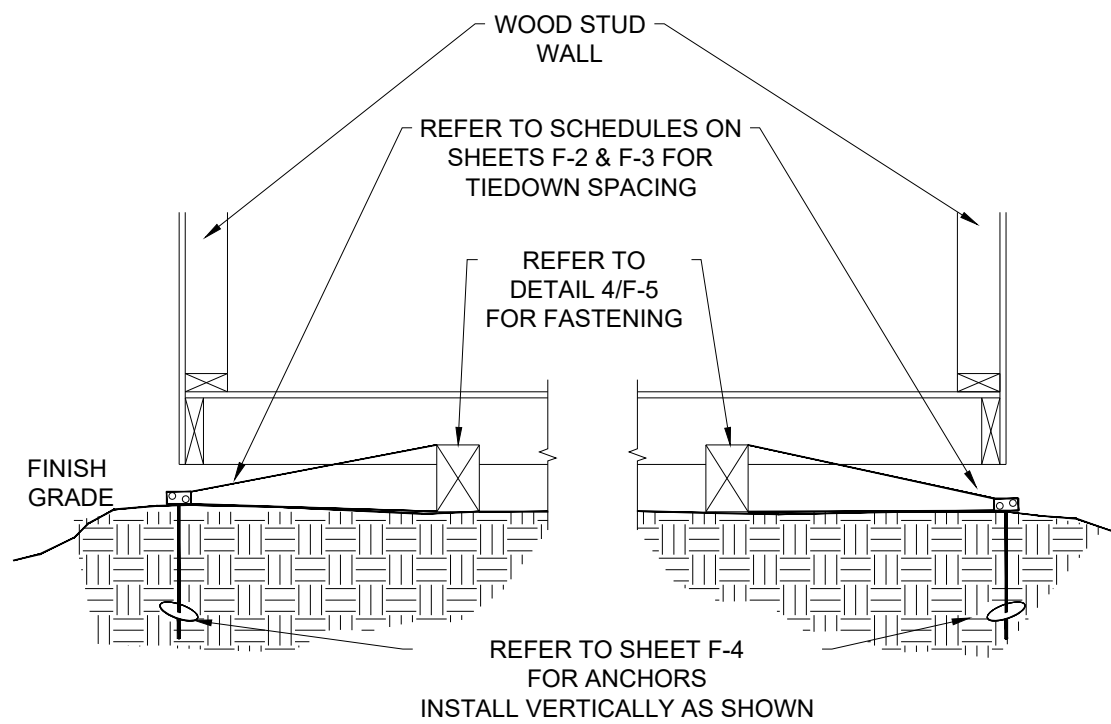


1552 6TH ST., WINTER HAVEN, FL 33880
(863)865-6502

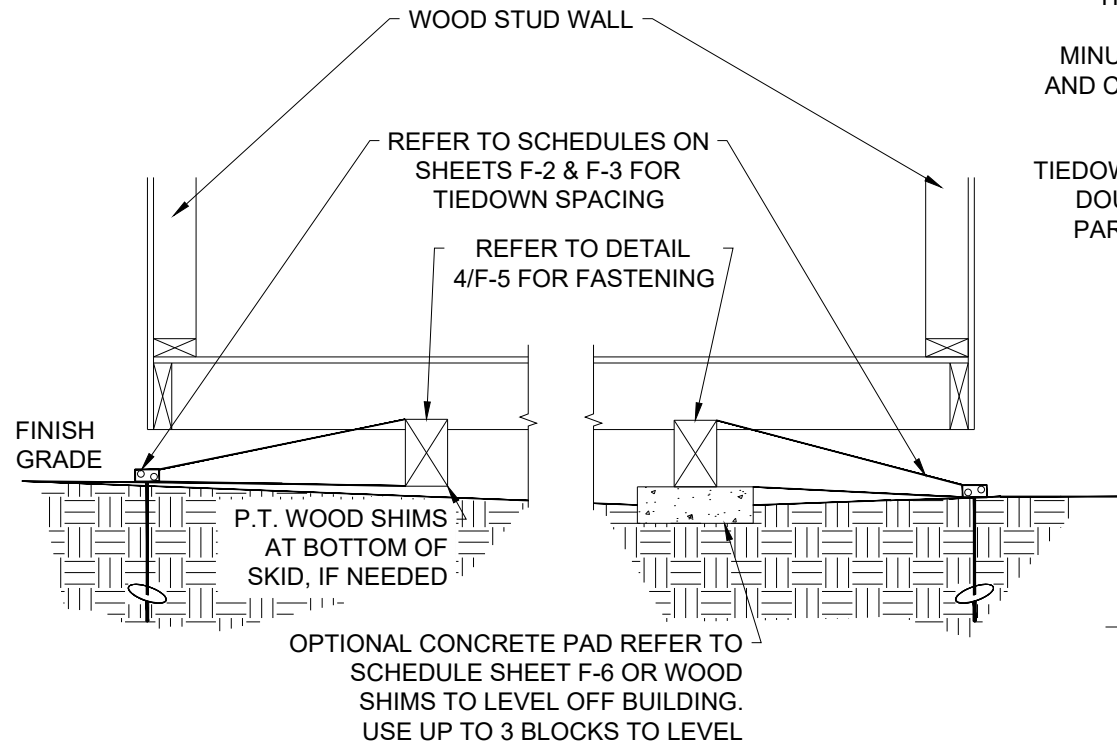
GROUND ANCHOR SCHEDULE

DATE: 12/12/17	DRAWN BY: RD
SCALE: AS NOTED	CHECKED BY: KMB

SHEET:
F-4
SHEET 4 OF 6



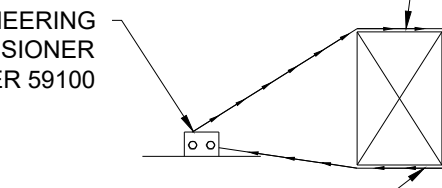
1 ALL SKIDS ON GRADE VERTICAL ANCHOR SECTION
 F-5 SCALE: N.T.S.



2 SKIDS ON GRADE & CONC. PADS VERTICAL ANCHOR UN-LEVEL GROUND SECTION
 F-5 SCALE: N.T.S.

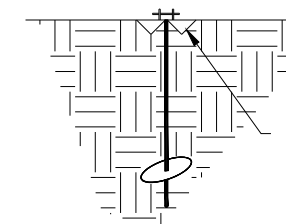
TIEDOWN STRAP - 0.035 x 1-1/4" GALVANIZED STEEL QQS-781-H 1 FINISH B, GRADE 1 BY MINUTEMAN PRODUCTS INC. OR EQUAL. STRAP AND CONNECTION HARDWARE SHALL HAVE 4725 LB. MIN. ULTIMATE CAPACITY

TIEDOWN ENGINEERING DOUBLE TENSIONER PART NUMBER 59100



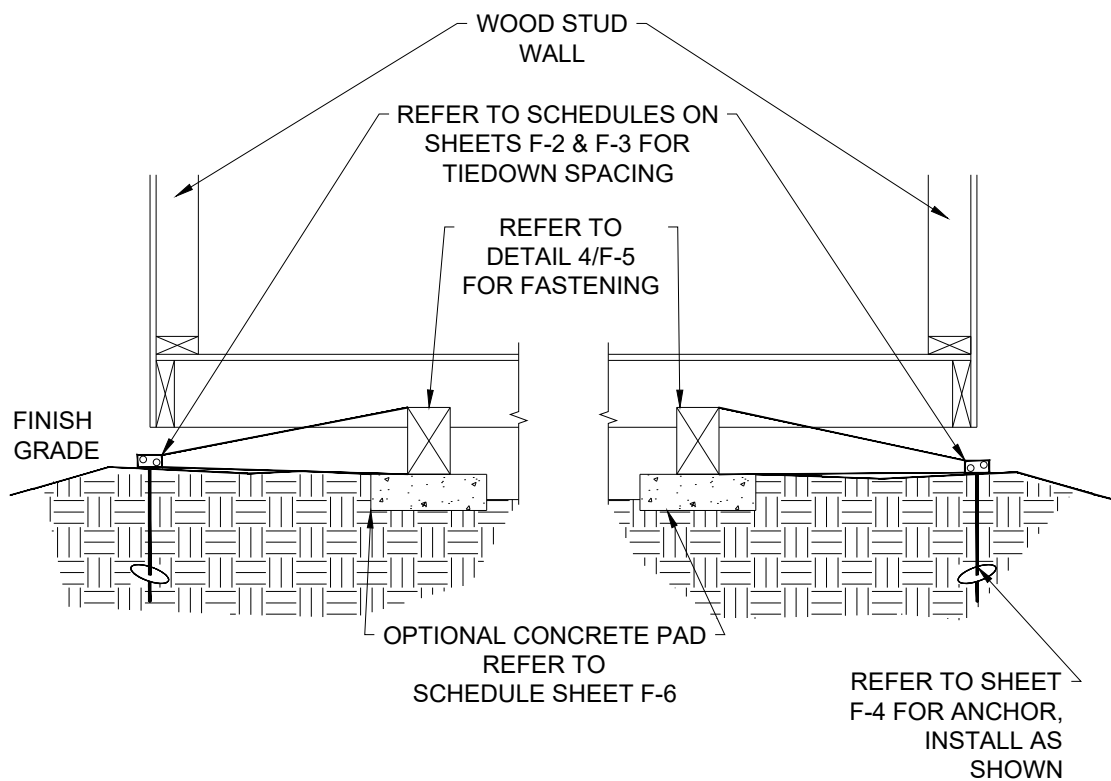
BUILDING SKID REFER TO BUILDING PLAN FOR SIZE, LENGTH, AND LOCATION

4 DETAIL
 F-5 SCALE: N.T.S.

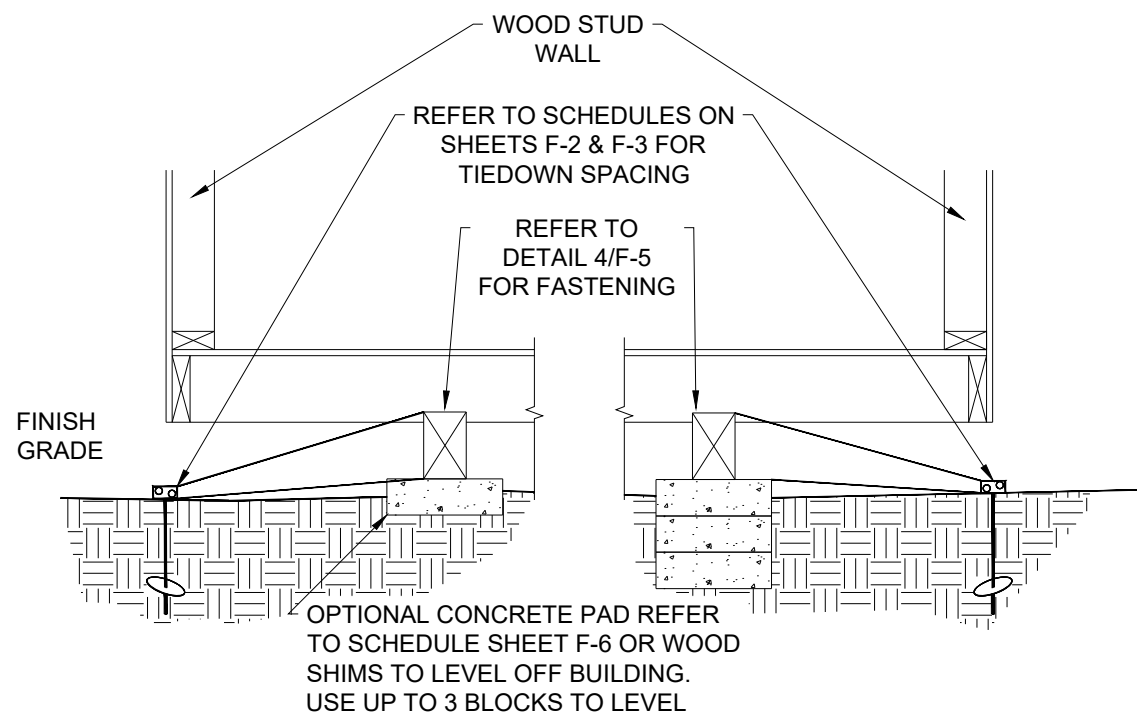


STABILIZER PLATE #59286 BY TIE DOWN ENGINEERING OR EQUAL. AT ALL ANCHOR LOCATIONS EACH SIDE OF SHED.

5 STABILIZER PLATE DETAIL
 F-5 SCALE N.T.S.



3 ALL SKIDS ON CONC. PADS VERTICAL ANCHOR SECTION
 F-5 SCALE: N.T.S.



6 ALL SKIDS ON CONC. PADS VERTICAL ANCHOR UN-LEVEL GROUND SECTION
 F-5 SCALE N.T.S.

Engineer: Kent Bice
 FL License #: 50421



1552 6TH ST., WINTER HAVEN, FL 33880
 (863)865-6502

TIEDOWN SECTIONS

DATE: 12/12/17 DRAWN BY: RD
 SCALE: AS NOTED CHECKED BY: KMB

SHEET:

F-5

SHEET 5 OF 6

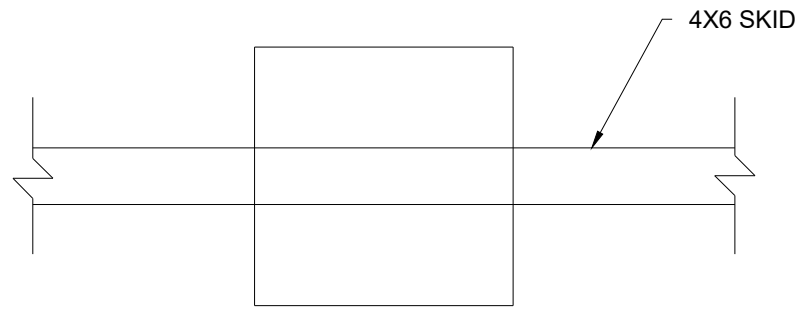
THESE PLANS WERE DESIGNED IN ACCORDANCE WITH THE 6TH EDITION, 2017 FLORIDA BUILDING CODE.

NOTE:

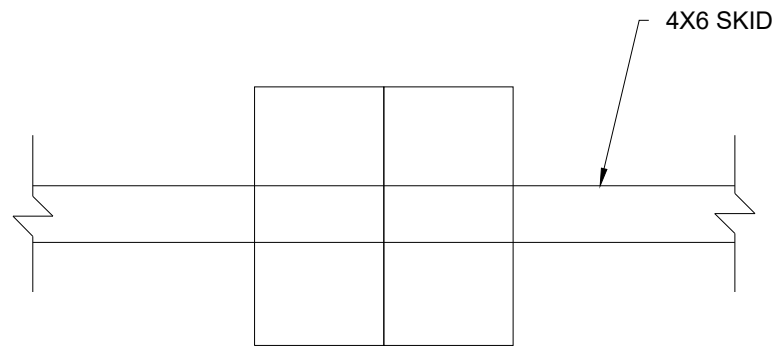
1. 4" MIN. THICK, 2500 PSI MIN. CONCRETE PADS ARE OPTIONAL.
2. DIMENSIONS SHOWN ARE NOMINAL.
3. TIEDOWNS ARE REQUIRED MIN. (4) PER BUILDING, (1) AT EACH CORNER SHEARWALL (SW#).
4. REFER TO SCHEDULES ON SHEET F-2 & F-3 FOR TIEDOWN SPACING AND SCHEDULES ON THIS SHEET FOR OPTIONAL PAD LOCATION.
5. SPACE OPTIONAL PADS AT EACH END OF EACH SKID AND EQUALLY IN-BETWEEN.
6. LOCATE PAD CENTERED UNDER THE SKID.

16" X 16" X 4" OR (2) 16" X 8" X 4" PAD SCHEDULE FOR ALL WIND SPEEDS, EXPOSURES, AND 40 PSF FLOOR LOAD

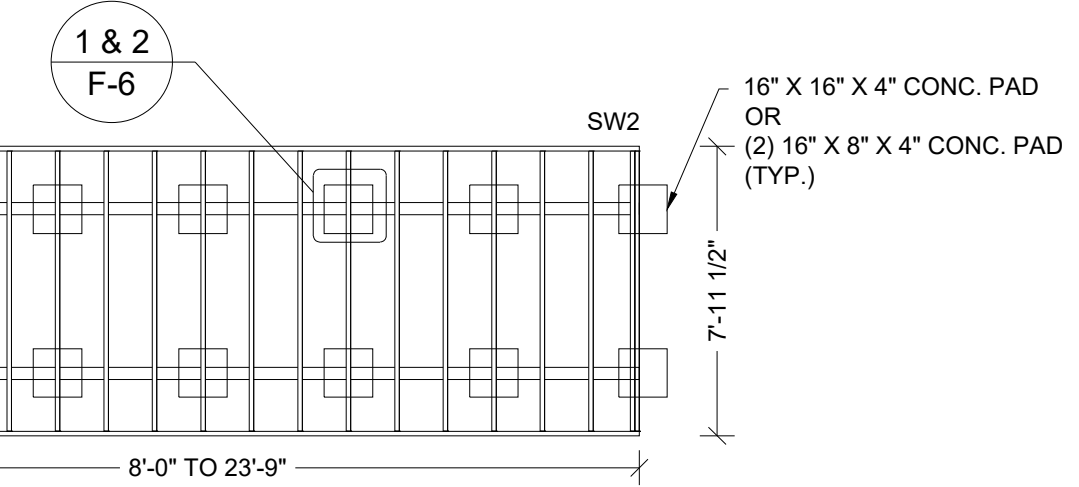
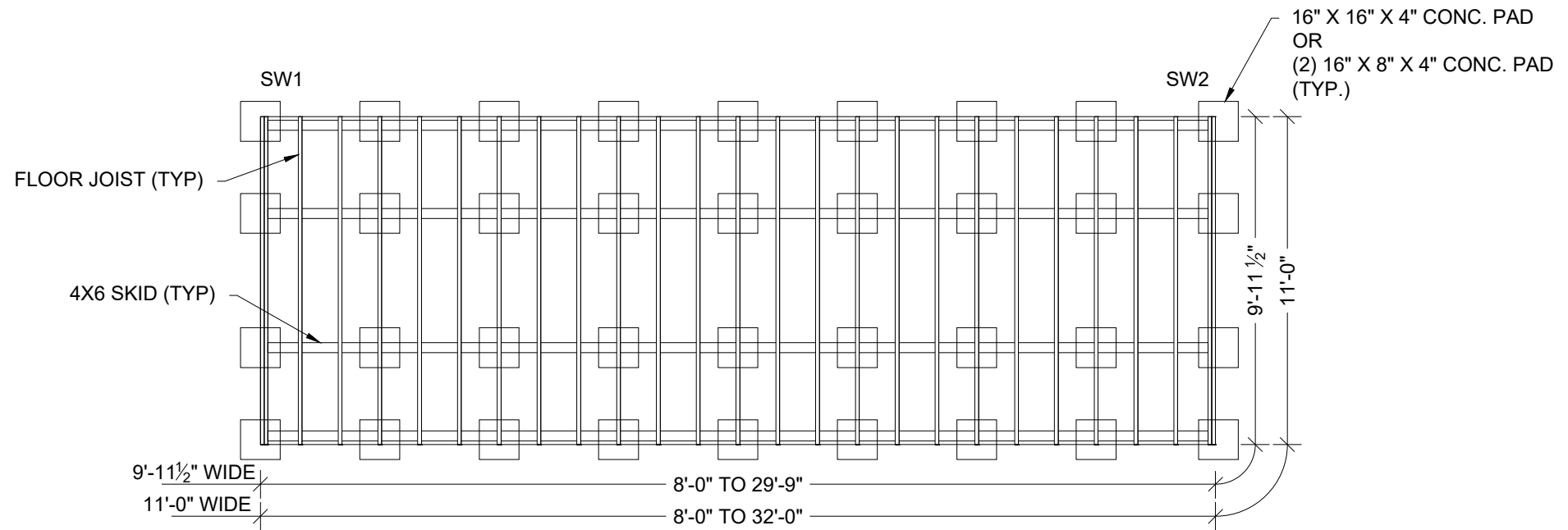
BLDG WIDTH		NUMBER OF PADS REQUIRED BY BUILDING LENGTH UNDER EACH SKID												
		8'-0"	10'-0"	12'-0"	14'-0"	16'-0"	18'-0"	20'-0"	22'-0"	24'-0"	26'-0"	28'-0"	30'-0"	32'-0"
SINGLE WIDE UNITS	7'-11 1/2"	3	3	3	4	4	4	5	5	5	N.A.	N.A.	N.A.	N.A.
	9'-11 1/2"	2	3	3	3	3	4	4	4	4	5	5	5	N.A.
	11'-0"	2	3	3	3	3	4	4	4	4	5	5	5	5



1 16"X16"X4" PAD DETAIL
F-6 SCALE: N.T.S.



2 (2) 16"X8"X4" PAD DETAIL
F-6 SCALE: N.T.S.



3 PAD LOCATION PLAN
F-6 SCALE: N.T.S.

Engineer: Kent Bice
FL License #: 50421

1552 6TH ST., WINTER HAVEN, FL 33880
(863)865-6502

OPTIONAL PAD DETAILS

DATE: 12/12/17 DRAWN BY: RD
SCALE: AS NOTED CHECKED BY: KMB

SHEET:
F-6
SHEET 6 OF 6

THESE PLANS WERE DESIGNED IN ACCORDANCE WITH THE 6TH EDITION, 2017 FLORIDA BUILDING CODE.